

PARTS



Parts List - 5600SXT Control Valve Assembly

| REF. NO. | PART NO. | DESCRIPTION | QTY. |
|----------|-----------|--|------|
| 0 | 20564X000 | VALVE BODY COMPLETE | 1 |
| 1 | 20561X201 | ADAPTER CLIP | 2 |
| 2 | 20561X202 | SEAL | 5 |
| 3 | 20561X203 | VALVE BODY ONLY 1.05" DIST. | 1 |
| 4 | 20561X204 | DIST. TUBE O-RING 1.05" O.D. | 1 |
| 5 | 20561X205 | VALVE TO TANK O-RING | 1 |
| 7 | 20561X207 | SPACER | 4 |
| 7A | 20561X253 | SEAL & SPACER KIT INCL. 5 - #2 & 4 - #7 | 1 |
| 8 | 20564X208 | PISTON ONLY | 1 |
| 8A | 20564X254 | PISTON & END PLUG ASSY. INCL. #8, 9, 10, 11 & 12 | 1 |
| 9 | 20564X209 | PISTON PIN | 1 |
| 10 | 20564X210 | PISTON ROD ASSEMBLY | 1 |
| 11 | 20561X211 | PISTON RETAINER | 1 |
| 12 | 20564X212 | END PLUG ASSEMBLY | 1 |
| 14 | 20561X214 | INJECTOR MOUNTING SCREW | 2 |
| 15 | 20251X215 | BYPASS ADAPTER (AUTOMATICS ONLY) | 2 |
| 16 | 20561X216 | BYPASS ADAPTER O-RING | 4 |
| 17 | 20561X217 | ADAPTER CLIP SCREW 8-18 X 5/8" | 2 |
| 18 | 20561X218 | DRAIN O-RING | 1 |
| 19 | 20561X219 | INJECTOR O-RING | 2 |
| 20 | 20561X220 | BRINE SPACER O-RING | 2 |
| 21 | 20561X221 | INJECTOR COVER O-RING | 1 |
| 22 | 20561X222 | INJECTOR BODY | 1 |
| 23 | 20251X205 | INJECTOR NOZZLE, # 1 WHITE | 1 |
| | 20251X241 | INJECTOR NOZZLE, # 2 BLUE | 1 |
| | 20251X235 | INJECTOR NOZZLE, # 2 PVC | 1 |
| 24 | 20251X206 | INJECTOR THROAT, # 1 WHITE | 1 |
| | 20251X242 | INJECTOR THROAT, # 2 BLUE | 1 |
| | 20251X236 | INJECTOR THROAT, # 2 PVC | 1 |
| 25 | 20251X204 | INJECTOR SCREEN | 1 |
| 26 | 20561X226 | INJECTOR COVER | 1 |
| 27 | N/S | BRINE VALVE STEM ONLY | 1 |
| 27A | 20561X225 | BRINE VALVE ASSY. - INCL. 27 TO 34 | 1 |
| 28 | 20251X315 | BRINE VALVE SEAT | 1 |
| 29 | N/S | BRINE VALVE CAP | 1 |
| 30 | N/S | BRINE VALVE SPACER | 1 |
| 31 | 20251X312 | QUAD RING | 1 |
| 32 | N/S | BRINE VALVE SPRING | 1 |
| 33 | N/S | BRINE VALVE WASHER | 1 |
| 34 | N/S | RETAINING RING | 1 |
| 35 | 20251X304 | BRINE LINE COMPRESSION NUT | 1 |
| 36 | 20251X305 | BRINE LINE FERRULE | 1 |
| 37 | 20251X303 | BRINE LINE BRASS INSERT | 1 |
| 38 | 20251X318 | BLFC BUTTON .5 GPM | 1 |
| 39 | 20561X239 | BRINE LINE O-RING | 1 |
| 40 | 20561X240 | BLFC BUTTON RETAINER | 1 |
| 41 | 20561X241 | BLFC BRASS FITTING | 1 |

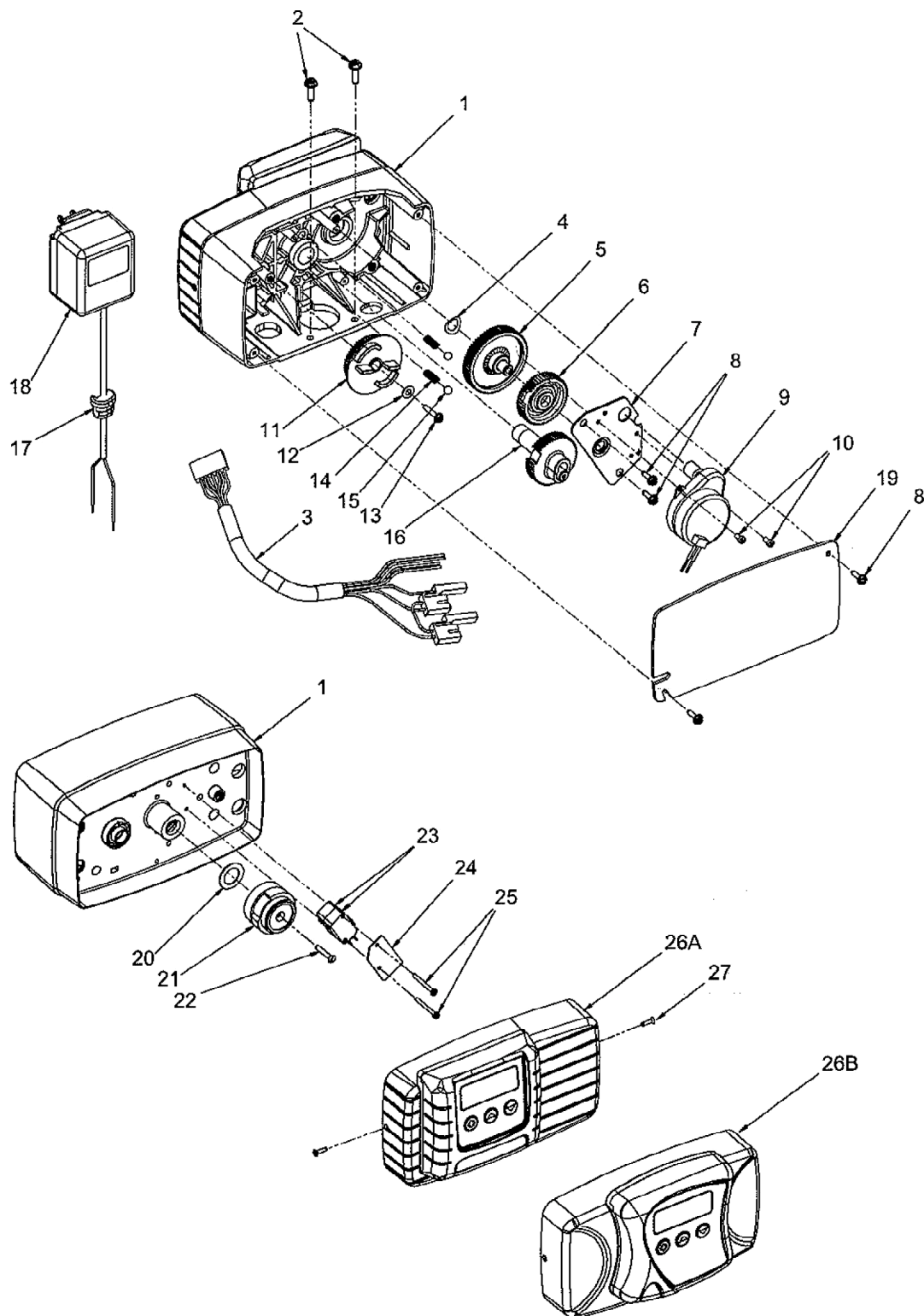
| REF. NO. | PART NO. | DESCRIPTION | QTY. |
|----------|-----------|--|------|
| 42 | 20251X266 | FLOW CONTROL BUTTON 1.5 GPM | 1 |
| | 20251X267 | FLOW CONTROL BUTTON 2.0 GPM | 1 |
| | 20251X268 | FLOW CONTROL BUTTON 2.4 GPM | 1 |
| | 20251X269 | FLOW CONTROL BUTTON 3.0 GPM | 1 |
| | 20251X270 | FLOW CONTROL BUTTON 3.5 GPM | 1 |
| | 20251X271 | FLOW CONTROL BUTTON 4.0 GPM | 1 |
| | 20251X272 | FLOW CONTROL BUTTON 5.0 GPM | 1 |
| | 20251X274 | FLOW CONTROL BUTTON 7.0 GPM | 1 |
| 43 | 20561X246 | DLFC BUTTON RETAINER | 1 |
| 46 | 20561X248 | AIR DISPERSER | 1 |
| 47 | 20561X249 | END PLUG RETAINER | 1 |
| 48 | 20561X250 | 10-24 X 1/2" SCREW | 3 |
| 49 | 20561X251 | WASHER | 1 |
| 50 | 20251X406 | 6-32 X 1/2" SCREW | 1 |
| 51 | 20561X260 | INJECTOR MODEL ASSY. # 1 INJ, .5 BLFC, SPECIFY DLFC. INCL. (2) #14, (1) #18, (2) #19 & #20, (1) EA. #21 THRU #27, (1) EA. #28 THRU #43 | 1 |

N/S = Non Stocked Item

Shaded REF. No. Indicates Assembly or Kit



PARTS



PARTS

| REF. NO. | PART NO. | DESCRIPTION | QTY. |
|----------|-----------|--|------|
| 0 | 20564X100 | 5600SE POWERHEAD ASSY. COMPLETE | 1 |
| 1 | 20564X101 | DRIVE HOUSING | 1 |
| 2 | 20561X134 | DRIVE MOUNT SCREW | 2 |
| 3 | 20564X103 | POWER WIRE HARNESS | 1 |
| 4 | 20251X423 | SPRING WASHER | 1 |
| 5 | 20251X421 | IDLER GEAR | 1 |
| 6 | 20564X106 | DETENT SPRING | 2 |
| 7 | 20561X102 | MOTOR MOUNTING PLATE | 1 |
| 8 | 20251X406 | COMPONENT SCREW | 4 |
| 9 | 20564X107 | DRIVE MOTOR 2 RPM 24 V 50 / 60 HZ | 1 |
| 10 | 20251X427 | MOTOR SCREW | 3 |
| 11 | 20564X116 | BRINE VALVE CAM | 1 |
| 12 | 20251X135 | WASHER | 1 |
| 13 | 20564X128 | SCREW | 2 |
| 14 | 20564X109 | DRIVE GEAR | 1 |
| 15 | 20251X413 | DETENT BALL | 2 |
| 16 | 20564X108 | Main Drive Gear & Shaft-Downflow-Black | 1 |
| 17 | 20251X102 | STRAIN RELIEF | 1 |
| 18 | 20564X117 | 24 V 9.6 VA TRANSFORMER (OPTIONAL) | 1 |
| 19 | 20561X126 | BACK PLATE | 1 |
| 20 | 20564X119 | FRICTION WASHER | 1 |
| 21 | 20564X110 | CYCLE CAM (DOWNFLOW BRINE - BLACK) | 1 |
| 22 | 20561X137 | CYCLE CAM SCREW | 1 |
| 23 | 20251X113 | MICROSWITCH | 2 |
| 24 | 20251X114 | INSULATOR | 1 |
| 25 | 20564X122 | MICROSWITCH SCREW | 2 |
| 26A | 20564X104 | FRONT PANEL ASSY. (B/W FIRST LABEL) | 1 |
| 26B | 20564X105 | FRONT PANEL ASSY. (B/W FIRST LABEL) | 1 |
| 27 | 20564X124 | FRONT PANEL SCREW | 2 |

N/S = Non Stocked Item

Shaded REF. No. Indicates Assembly or Kit

