

PARTS



# Parts List - 5600 Series Valve Softener & Filter

REF. NO.	PART NO.	DESCRIPTION	QTY.
0	20561X200	VALVE BODY COMPLETE	1
1	20561X201	ADAPTER CLIP	2
2	20561X202	SEAL	5
3	20561X203	VALVE BODY ONLY 1.05" DIST.	1
4	20561X204	DIST. TUBE O-RING 1.05" O.D.	1
5	20561X205	VALVE TO TANK O-RING	1
7	20561X207	SPACER	4
7A	20561X253	SEAL & SPACER KIT INCL. 5 - #2 & 4 - #7	1
8	20561X208	PISTON ONLY	1
8A	20561X254	PISTON & END PLUG ASSY. INCL. #8, 9, 10, 11 & 12	1
9	20561X209	PISTON PIN	1
10	20561X210	PISTON ROD ASSEMBLY	1
11	20561X211	PISTON RETAINER	1
12	20561X212	END PLUG ASSEMBLY	1
14	20561X214	INJECTOR MOUNTING SCREW	2
15	20561X215	BYPASS ADAPTER (AUTOMATICS ONLY)	2
16	20561X216	BYPASS ADAPTER O-RING	4
17	20561X217	ADAPTER CLIP SCREW 8-18 X 5/8"	2
18	20561X218	DRAIN O-RING	1
19	20561X219	INJECTOR O-RING	2
20	20561X220	BRINE SPACER O-RING	2
21	20561X221	INJECTOR COVER O-RING	1
22	20561X222	INJECTOR BODY	1
23	20251X205	INJECTOR NOZZLE, # 1 WHITE	1
	20251X241	INJECTOR NOZZLE, # 2 BLUE	1
	20251X235	INJECTOR NOZZLE, # 2 PVC	1
24	20251X206	INJECTOR THROAT, # 1 WHITE	1
	20251X242	INJECTOR THROAT, # 2 BLUE	1
	20251X236	INJECTOR THROAT, # 2 PVC	1
25	20251X204	INJECTOR SCREEN	1
26	20561X226	INJECTOR COVER	1
27	N/S	BRINE VALVE STEM ONLY	1
27A	20561X225	BRINE VALVE ASSY. - INCL. 27 TO 34	1
28	20251X315	BRINE VALVE SEAT	1
29	N/S	BRINE VALVE CAP	1
30	N/S	BRINE VALVE SPACER	1
31	20251X312	QUAD RING	1
32	N/S	BRINE VALVE SPRING	1
33	N/S	BRINE VALVE WASHER	1
34	N/S	RETAINING RING	1
35	20251X304	BRINE LINE COMPRESSION NUT	1
36	20251X305	BRINE LINE FERRULE	1
37	20251X303	BRINE LINE BRASS INSERT	1
38	20251X318	BLFC BUTTON .5 GPM	1
39	20561X239	BRINE LINE O-RING	1
40	20561X240	BLFC BUTTON RETAINER	1
41	20561X241	BLFC BRASS FITTING	1

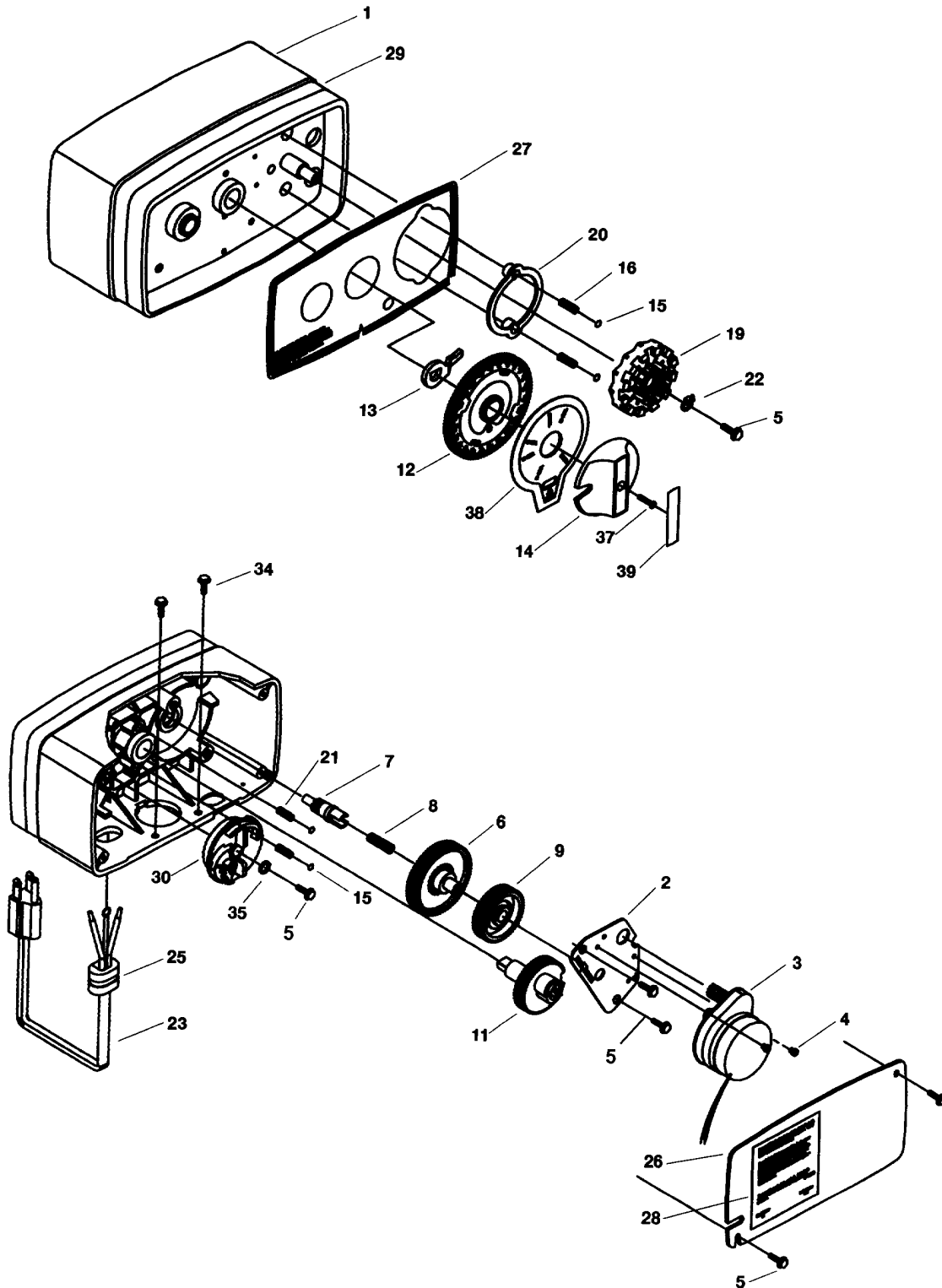
REF. NO.	PART NO.	DESCRIPTION	QTY.
42	20251X266	FLOW CONTROL BUTTON 1.5 GPM	1
	20251X267	FLOW CONTROL BUTTON 2.0 GPM	1
	20251X268	FLOW CONTROL BUTTON 2.4 GPM	1
	20251X269	FLOW CONTROL BUTTON 3.0 GPM	1
	20251X270	FLOW CONTROL BUTTON 3.5 GPM	1
	20251X271	FLOW CONTROL BUTTON 4.0 GPM	1
	20251X272	FLOW CONTROL BUTTON 5.0 GPM	1
	20251X274	FLOW CONTROL BUTTON 7.0 GPM	1
43	20561X246	DLFC BUTTON RETAINER	1
46	20561X248	AIR DISPERSER	1
47	20561X249	END PLUG RETAINER	1
48	20561X250	10-24 X 1/2" SCREW	3
49	20561X251	WASHER	1
50	20251X406	6-32 X 1/2" SCREW	1
51	20561X260	INJECTOR MODEL ASSY. # 1 INJ. .5 BLFC, SPECIFY DLFC. INCL. (2) #14, (1) #18, (2) #19 & #20, (1) EA. #21 THRU #27, (1) EA. #28 THRU #43	1

FILTER COMPONENTS NOT SHOWN			
Not Shown	20562X263	FILTER MODULE ASSY. SPECIFY DLFC	1
Not Shown	20561X256	DRAIN LINE FITTING STRAIGHT 1/2" NPT X 1/2" TUBING	1
Not Shown	20251X255	DRAIN LINE FITTING 90° ELBOW 1/2" NPT X 1/2" TUBING	1
Not Shown	20562X102	BRINE VALVE PLUG - FILTER ONLY	1
Not Shown	20561X220	BRINE VALVE PLUG O-RING	1
Not Shown	20562X103	BLFC PLUG - FILTER ONLY	1
Not Shown	20561X239	BLFC PLUG O-RING	1
Not Shown	20562X254	PISTON ASSY. - FILTER ONLY	1
Not Shown		INJECTOR NOZZLE UNDRILLED	1

N/S = Non Stocked Item  
 Shaded REF. No. Indicates Assembly or Kit



PARTS



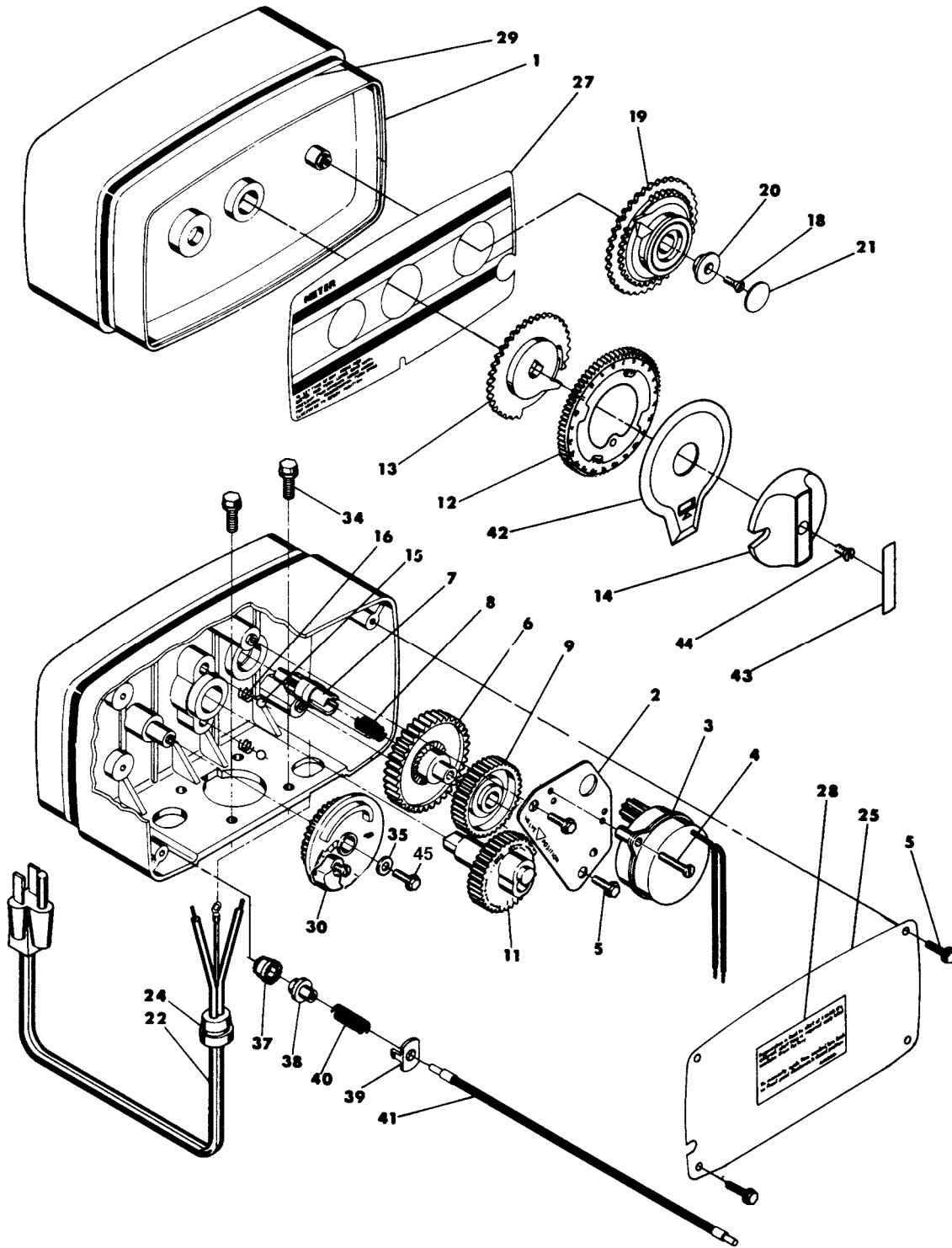
PARTS

REF. NO.	PART NO.	DESCRIPTION	QTY.
0	20561X100	5600 12 DAY SOFTENER POWERHEAD ASSY. COMPLETE	1
1	20561X101	DRIVE HOUSING	1
2	20561X102	MOTOR MOUNTING PLATE	1
3	20251X425	MOTOR, 110 V / 60 HZ	1
4	20251X427	MOTOR MOUNT AND GROUND SCREW	3
5	20251X406	COMPONENT MOUNTING SCREW	6
6	20251X421	IDLER GEAR	1
7	20251X419	IDLER PINION	1
8	20251X420	IDLER SPRING	1
9	20251X422	DRIVE GEAR	1
NOT SHOWN	20251X423	CURVED WASHER	1
11	20561X111	MAIN GEAR AND SHAFT	1
12	20251X403	24 HOUR GEAR	1
13	20251X402	CYCLE ACTUATOR ARM	1
14	20561X114	MANUAL REGENERATION KNOB	1
15	20251X413	BALL, 1/4" DIA. SST	4
16	20251X412	SKIPPER WHEEL DETENT SPRING	2
NOT SHOWN	20251X404	24 HOUR LABEL	1
NOT SHOWN	N/S	SKIPPER WHEEL LABEL	1
19	20251X408	SKIPPER WHEEL ASSY. - 12 DAY	1
20	20251X435	SKIPPER WHEEL RING	1
21	20251X414	MAIN GEAR DETENT SPRING	2
22	20251X410	REGEN POINTER	1
23	20561X123	POWER CORD	1
25	20251X102	STRAIN RELIEF	1
26	20561X126	BACK COVER	1
27	20561X127	FRONT LABEL - BLUE / SILVER	1
28	N/S	REAR LABEL	1
29	20561X129	BLUE TAPE STRIPE	1
30	20561X130	BRINE CAM ASSY. 6-36	1
NOT SHOWN	N/S	TIME FILL CAM SCREW	1
NOT SHOWN	N/S	TIME FILL CAM NUT	1
NOT SHOWN	N/S	TIME FILL CAM	1
34	20561X134	DRIVE MOUNTING SCREW	2
35	20561X135	WASHER	1
NOT SHOWN	N/S	"LBS. OF SALT" LABEL	1
37	20561X137	KNOB SCREW	1
38	20561X138	VALVE POSITION DIAL	1
	N/S	VALVE POSITION DIAL - FILTER ONLY	1
39	20561X139	SILVER KNOB LABEL	1
	20561X125	DESIGNER COVER - 5600	1

N/S = Non Stocked Item

Shaded REF. No. Indicates Assembly or Kit

PARTS



PARTS

REF. NO.	PART NO.	DESCRIPTION	QTY.
0	20563X100	5600 METER SOFTENER POWERHEAD ASSY. COMPLETE	1
1	20563X101	DRIVE HOUSING	1
2	20561X102	MOTOR MOUNTING PLATE	1
3	20251X425	MOTOR, 110 V / 60 HZ	1
4	20251X427	MOTOR MOUNT AND GROUND SCREW	3
5	20251X406	COMPONENT MOUNTING SCREW	5
6	20251X421	IDLER GEAR	1
7	20251X419	IDLER PINION	1
8	20251X420	IDLER SPRING	1
9	20251X422	DRIVE GEAR	1
NOT SHOWN	20251X423	CURVED WASHER	1
11	20561X111	MAIN GEAR AND SHAFT	1
12	20251X403	24 HOUR GEAR	1
13	20253X110	CYCLE ACTUATOR ARM	1
14	20561X114	MANUAL REGENERATION KNOB	1
15	20251X413	BALL, 1/4" DIA. SST	2
16	20251X414	SPRING DETENT	2
NOT SHOWN	20251X404	24 HOUR LABEL	1
18	20253X108	PROGRAM WHEEL SCREW	1
19	20563X119	PROGRAM WHEEL ASSY' - SPECIFY "K"	1
20	20253X111	PROGRAM WHEEL RETAINER	1
21	20563X121	PROGRAM WHEEL COVER LABEL	1
22	20561X123	POWER CORD	1
24	20251X102	STRAIN RELIEF	1
25	20561X126	BACK COVER	1
27	20563X127	SILVER FRONT LABEL	1
28	N/S	REAR LABEL	1
29	20561X129	SILVER TAPE STRIPE	1
30	20561X130	BRINE CAM ASSEMBLY 6-36	1
NOT SHOWN	N/S	TIME FILL CAM SCREW	1
NOT SHOWN	N/S	TIME FILL CAM NUT	1
NOT SHOWN	N/S	TIME FILL CAM	1
34	20561X134	DRIVE MOUNTING SCREW	2
35	20561X135	WASHER	1
NOT SHOWN	N/S	"LBS. OF SALT" LABEL	1
37	20563X137	PROGRAM WHEEL DRIVE PINION	1
38	20563X138	DRIVE PINION CLUTCH	1
39	20563X139	SPRING RETAINER	1
40	20563X140	SPRING	1
41	20563X141	CABLE ASSY. STANDARD 8.25"	1
	20563X142	CABLE ASSY. EXT. 6.75"	1
42	20561X138	VALVE POSITION DIAL STANDARD	1
43	20561X139	SILVER KNOB LABEL	1
44	20561X137	KNOB SCREW	1
NOT SHOWN	20561X125	DESIGNER COVER - 5600	1

N/S = Non Stocked Item

Shaded REF. No. Indicates Assembly or Kit

PARTS