

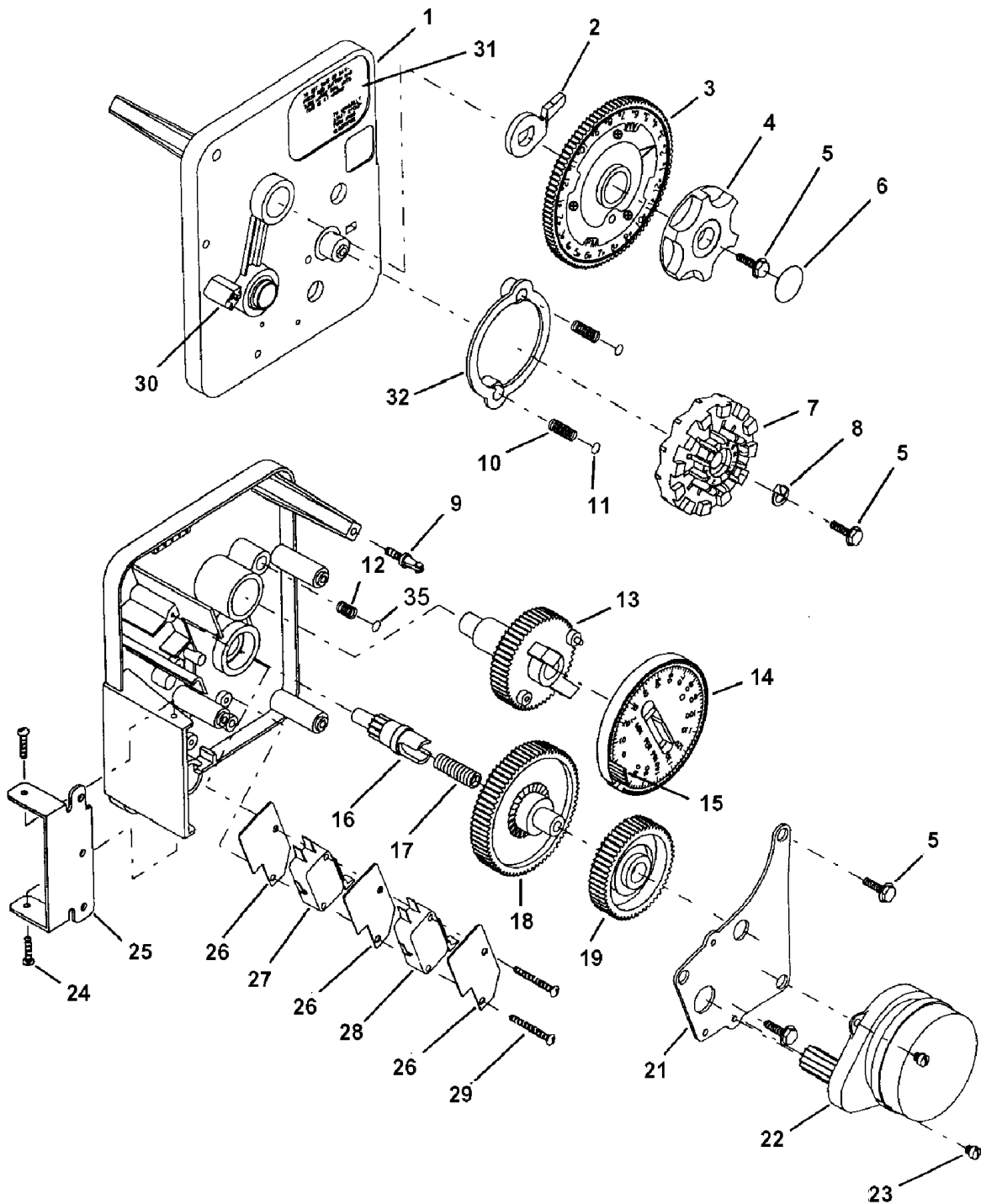
PARTS

REF. NO.	PART NO.	DESCRIPTION	QTY.
1	20251X450	VALVE BODY	1
2	20251X210	END SPACER	1
3	20251X211	SEAL RING	6
4	20251X212	SPACER	5
4A	20251X232	SEAL & SPACER KIT INCL. (1) NO. 2, (6) NO. 3 & (5) NO. 4	1
5	20251X215	PISTON	1
6	20251X218	PISTON ROD RETAINER	1
7	20251X216	PISTON ROD	1
8	20251X221	QUAD RING SEAL	1
9	20251X219	END PLUG O-RING SEAL	1
10	20251X222	END PLUG ASSEMBLY	1
10A	20251X231	PISTON ASSEMBLY INCL. (1) EA. NO 5, 6, 7, 8 9 & 10	1
11	20251X208	INJECTOR BODY GASKET	1
12	20251X207	INJECTOR BODY - PLASTIC	1
13	20251X204	INJECTOR SCREEN	1
14	20251X206	INJECTOR THROAT, # 1 WHITE	1
	20251X242	INJECTOR THROAT, # 2 BLUE	1
	20251X236	INJECTOR THROAT, # 2 PVC	1
15	20251X205	INJECTOR NOZZLE, # 1 WHITE	1
	20251X241	INJECTOR NOZZLE, # 2 BLUE	1
	20251X235	INJECTOR NOZZLE, # 2 PVC	1
16	20251X203	INJECTOR COVER GASKET	1
17	20251X202	INJECTOR COVER (PLASTIC BODY)	1
18	20251X201	INJECTOR BODY SCREW	1
19	20251X214	DRAIN RETAINER	1
20	20251X266	FLOW CONTROL BUTTON 1.5 GPM	1
	20251X267	FLOW CONTROL BUTTON 2.0 GPM	1
	20251X268	FLOW CONTROL BUTTON 2.4 GPM	1
	20251X269	FLOW CONTROL BUTTON 3.0 GPM	1
	20251X270	FLOW CONTROL BUTTON 3.5 GPM	1
	20251X271	FLOW CONTROL BUTTON 4.0 GPM	1
	20251X272	FLOW CONTROL BUTTON 5.0 GPM	1
	20251X274	FLOW CONTROL BUTTON 7.0 GPM	1
21	20251X254	FLOW CONTROL O-RING SEAL	1
22	N/S	FLOW CONTROL HOUSING - PLASTIC	1
23	20251X255	1/2" PIPE X 1/2" HOS X 90° DRAIN FITTING	1
24	20251X451	BASE SEAL	1
25	20251X452	ADAPTER BASE (2.5 - 8 THREAD)	1
26	20251X453	SLIP RING	1
27	20001X215	TANK O-RING	1
28	20561X204	DISTRIBUTOR O-RING	1
29	20251X454	DISTRIBUTOR TUBE O-RING RETAINER	1
30	20251X455	CLAMP ASSEMBLY	1

REF. NO.	PART NO.	DESCRIPTION	QTY.
31	20251X456	CLAMP PIVOT	1
32	20251X457	CLAMP SCREW	1
33	20252X202	CAP - FILTER ONLY	1
34	20252X201	CAP SECURING SCREWS - FILTER ONLY	2
<small>Not Shown</small>		FLOW CONTROL ASSEMBLY INCL. 20, 21 & 22	
	20251X256	FLOW CONTROL ASSY. 1.5 GPM - PVC	1
	20251X257	FLOW CONTROL ASSY. 2.0 GPM - PVC	1
	20251X258	FLOW CONTROL ASSY. 2.4 GPM - PVC	1
	20251X259	FLOW CONTROL ASSY. 3.0 GPM - PVC	1
	20251X260	FLOW CONTROL ASSY. 3.5 GPM - PVC	1
	20251X261	FLOW CONTROL ASSY. 4.0 GPM - PVC	1
	20251X262	FLOW CONTROL ASSY. 5.0 GPM - PVC	1
	20251X264	FLOW CONTROL ASSY. 7.0 GPM - PVC	1

N/S = Non Stocked Item

Shaded REF. No. Indicates Assembly or Kit



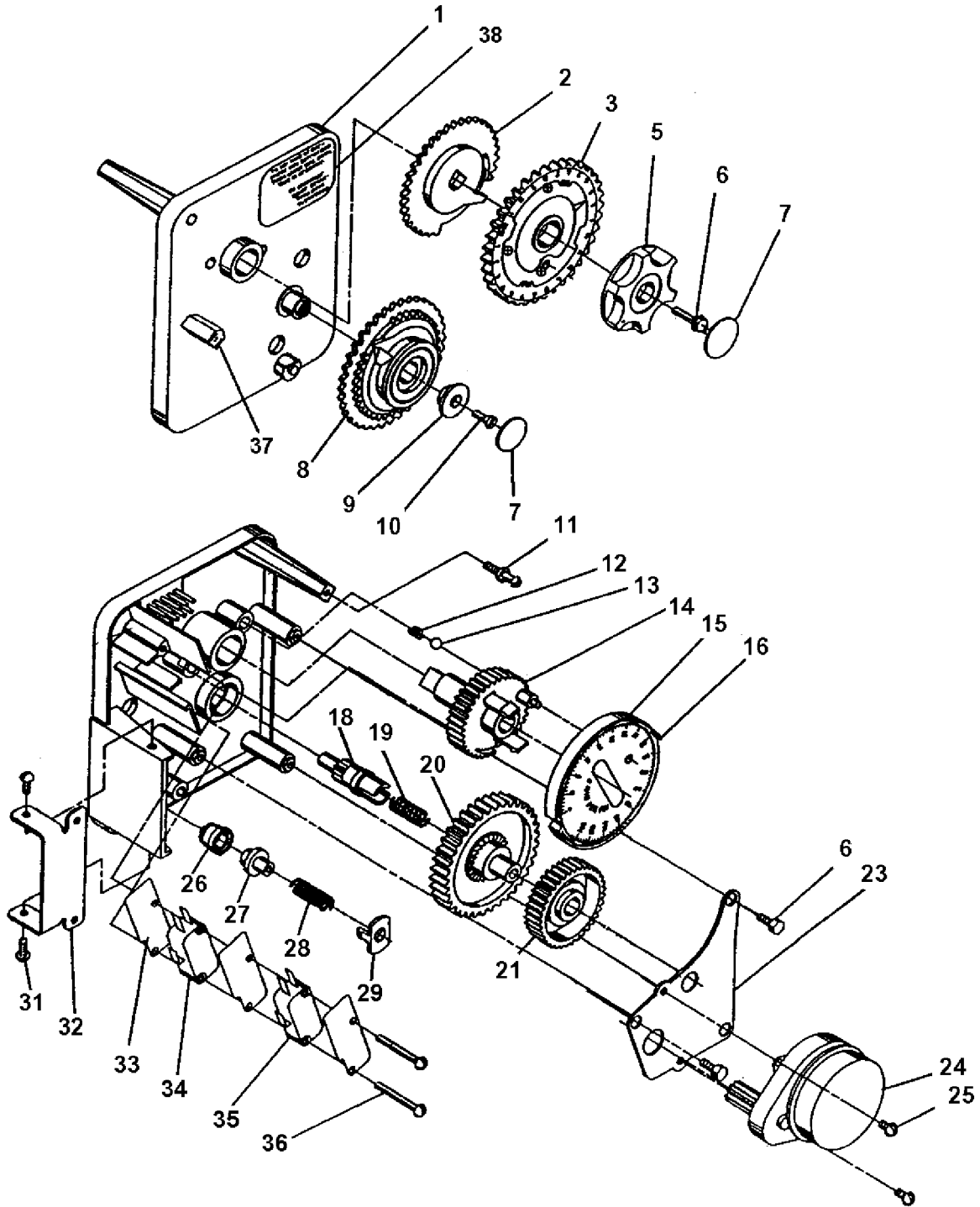
PARTS

REF. NO.	PART NO.	DESCRIPTION	QTY.
0	20251X104	3200 TIMER ASSEMBLY - 12 DAY	1
	20251X105	3200 TIMER ASSEMBLY - 7 DAY	1
1	20251X401	TIMER HOUSING	1
2	20251X402	CYCLE ACTUATOR ARM	1
3	20251X403	24 HOUR GEAR	1
4	20251X405	KNOB	1
5	20251X406	SCREW - TIMER KNOB & MOTOR MOUNT	5
6	20251X407	BUTTON DECAL	1
7	20251X408	SKIPPER WHEEL ASSEMBLY - 12 DAY	1
8	20251X410	REGENERATION POINTER	1
9	20251X411	SPRING CLIP	1
10	20251X412	SPRING - SKIPPER WHEEL DETENT	2
11	20251X413	BALL - 1/4" DIAMETER	2
12	20251X414	SPRING - MAIN GEAR DETENT	1
13	20251X415	MAIN DRIVE GEAR	1
14	20251X416	PROGRAM WHEEL	1
15	20251X417	ROLL PIN	21
16	20251X419	IDLER SHAFT	1
17	20251X420	IDLER SPRING	1
18	20251X421	IDLER GEAR	1
19	20251X422	DRIVE GEAR	1
NOT SHOWN	20251X423	CURVED WASHER	1
21	20251X424	MOTOR MOUNTING PLATE	1
22	20251X425	MOTOR - 110 V / 60 HZ	1
23	20251X426	SCREW - MOTOR MOUNTING	2
24	20251X427	SCREW - TIMER HINGE	3
25	20251X428	HINGE BRACKET	1
26	20251X429	INSULATOR	3
27	20251X430	SWITCH	1
28	20251X431	SWITCH	1
29	20251X432	SCREW - SWITCH MOUNTING	2
30	20251X433	DECAL - TIME OF DAY	1
31	20251X434	DECAL - INSTRUCTIONS	1
32	20251X435	SKIPPER WHEEL RING	1
NOT SHOWN	N/S	HARNESS (NOT SHOWN)	1
35	20251X438	1/4" DIAMETER DELRIN BALL	1
NOT SHOWN	20251X441	GROUND WIRE (NOT SHOWN)	1
NOT SHOWN	20251X404	24 HOUR LABEL - SILVER	1
NOT SHOWN	N/S	SKIPPER WHEEL LABEL	1
NOT SHOWN	N/S	PROGRAM WHEEL DECAL	1

N/S = Non Stocked Item

Shaded REF. No. Indicates Assembly or Kit

PARTS

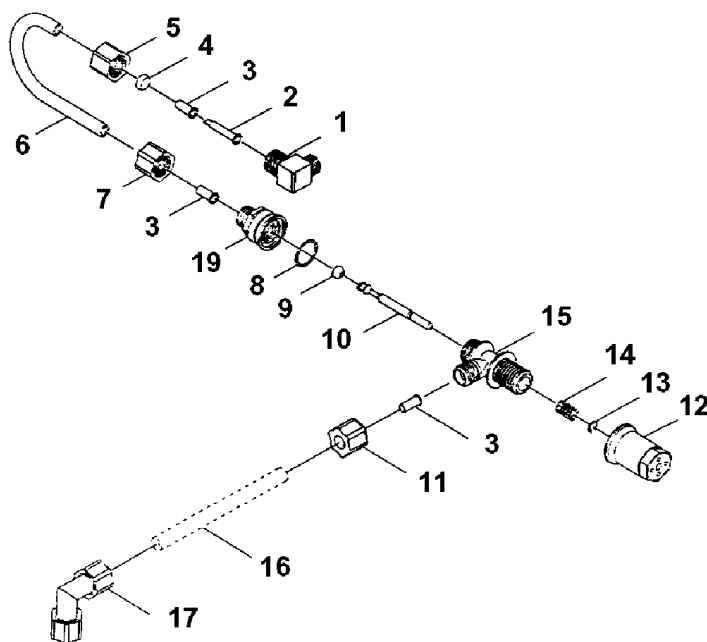


PARTS

REF. NO.	PART NO.	DESCRIPTION	QTY.
0	20253X100	3210 METER VALVE TIMER, 3/4" STD RANGE W/ CABLE - SPECIFY "K"	1
1	20253X109	TIMER HOUSING	1
2	20253X110	CYCLE ACTUATOR ARM	1
3	20251X403	24 HOUR GEAR	1
5	20251X405	KNOB	1
6	20251X406	SCREW - TIMER KNOB & MOTOR MOUNT	5
7	20251X407	BUTTON DECAL	1
8	20253X113	PROGRAM WHEEL ASSEMBLY - SPECIFY "K"	1
9	20253X111	PROGRAM WHEEL RETAINER	1
10	20253X108	PROGRAM WHEEL SCREW	1
11	20251X411	SPRING CLIP	1
12	20251X414	SPRING - MAIN GEAR DETENT	2
13	20251X438	BALL - 1/4" DIAMETER DELRIN	2
14	20251X415	MAIN DRIVE GEAR	1
15	20251X416	PROGRAM WHEEL	1
16	20251X417	ROLL PIN	21
18	20251X419	IDLER SHAFT	1
19	20251X420	IDLER SPRING	1
20	20251X421	IDLER GEAR	1
21	20251X422	DRIVE GEAR	1
NOT SHOWN	20251X423	CURVED WASHER	1
23	20251X424	MOTOR MOUNTING PLATE	1
24	20251X425	MOTOR - 110 V / 60 HZ	1
25	20251X426	SCREW - MOTOR MOUNTING	2
26	20563X137	DRIVE PINION - PROGRAM WHEEL	1
27	20563X138	CLUTCH - DRIVE PINION	1
28	20563X140	SPRING	1
29	20563X139	SPRING RETAINER	1
31	20251X427	SCREW - TIMER HINGE	3
32	20251X428	HINGE BRACKET	1
33	20251X429	INSULATOR	3
34	20251X430	SWITCH	1
35	20251X431	SWITCH	1
36	20251X432	SCREW - SWITCH MOUNTING	2
37	20251X433	DECAL - TIME OF DAY	1
38	20251X434	DECAL - INSTRUCTIONS	1
NOT SHOWN	20501X122	WIRE CONNECTOR (NOT SHOWN)	2
NOT SHOWN	20251X441	GROUND WIRE (NOT SHOWN)	1

N/S = Non Stocked Item  
 Shaded REF. No. Indicates Assembly or Kit

PARTS

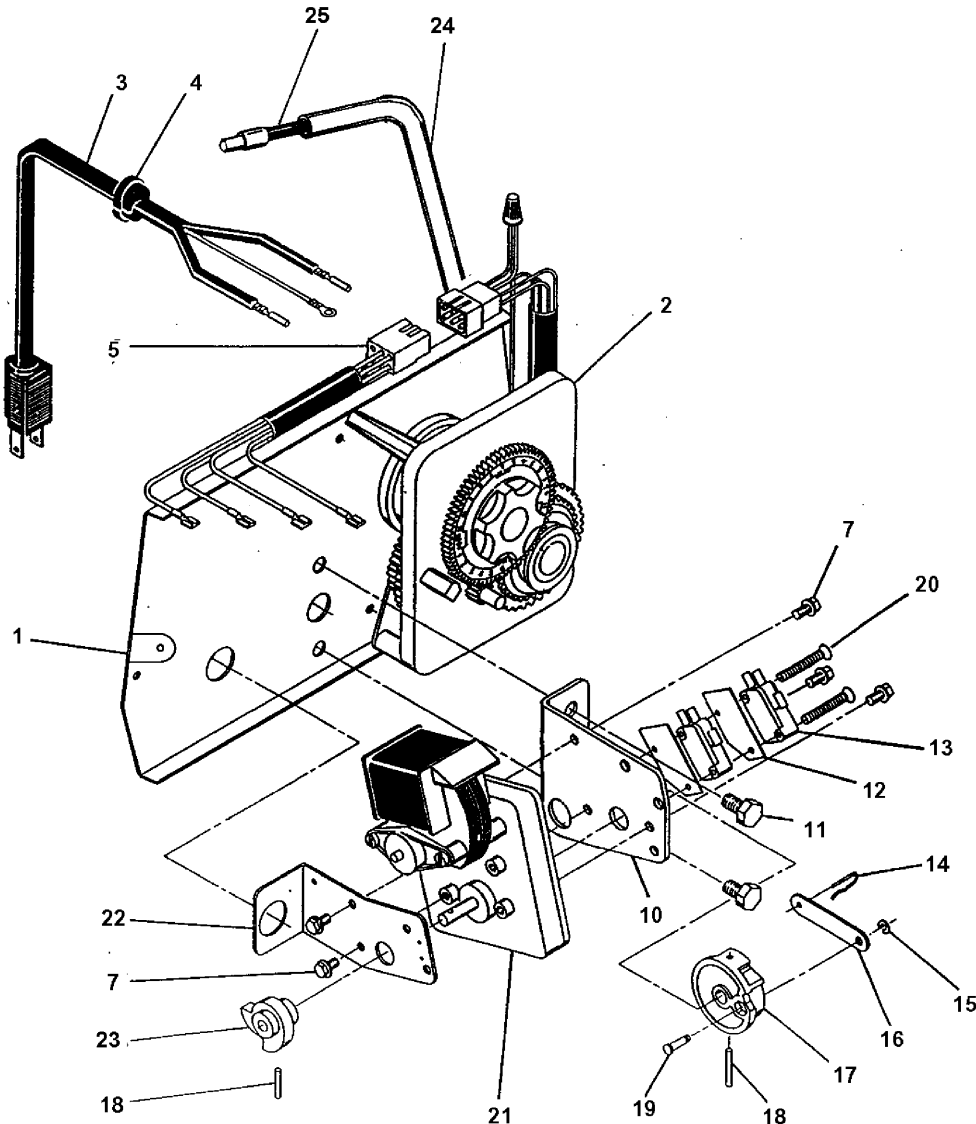


REF. NO.	PART NO.	DESCRIPTION	QTY.
0	20251X300	.5 GPM BRINE VALVE SYSTEM COMPLETE	1
1	20251X301	1/4" NPT X 3/8" NPS 90° ELBOW	1
2	20251X302	BRINE LINE SCREEN	1
3	20251X303	INSERT SLEEVE (3/8" TUBE)	3
4	20251X305	DELTRIN SLEEVE (3/8" TUBE)	1
5	20251X304	TUBE FITTING NUT 3/8" BRINE	1
6	20251X306	BRINE VALVE TUBE	1
7&11	20251X318	ASSEMBLY GFN NUT	2
8	20251X316	O-RING	1
9	20251X315	SEAT, BRINE VALVE	1
10	20251X314	BRINE VALVE STEM 1600	1
12	20251X308	GUIDE, BRINE VALVE STEM	1
13	20251X307	RETAINING RING	1
14	20251X311	BRINE VALVE SPRING	1
15	20251X313	BRINE VALVE BODY PLASTIC	1
16		3/8" TUBING	1
17	20251X312	ELBOW, 3/8 TUBE POLY, WHITE	1
19	20251X317	BRINE LINE FLOW CONTROL ASSY. - .5 BLFC	1

Shaded REF. No. Indicates Assembly or Kit

REF. NO.	PART NO.	DESCRIPTION	QTY.
1	20251X130	BACKPLATE FOR 2500 DESIGNER	1
2	20253X100	3210 METER VALVE TIMER W/ CABLE 3/4" STD METER - SPECIFY "K" LABEL	1
Not Shown	20251X104	3200 TIMER ASSY. 12 DAY	1
Not Shown	20251X105	3200 TIMER ASSY. 7 DAY	1
3	20251X101	POWER CORD	1
4	20251X102	STRAIN RELIEF	1
5	20251X132	WIRING HARNESS	1
7	20251X128	DRIVE MOTOR MOUNTING SCREW	5
10	20251X124	MOTOR MOUNTING BRACKET	1
11	20251X123	SCREW 1/4"-20 X 1/2"	2
12	20251X114	INSULATOR	2
13	20251X113	MICROSWITCH	2
14	20251X115	CONNECTING LINK PIN	1
15	20251X307	RETAINING RING	1
16	N/S	CONNECTING LINK	1

REF. NO.	PART NO.	DESCRIPTION	QTY.
17	20251X118	DRIVE CAM ASSEMBLY (WHITE)	1
18	20251X119	ROLL PIN	2
19	N/S	DRIVE BEARING	1
20	20251X125	SCREW 4-40 X 1"	2
21	20251X126	DRIVE MOTOR	1
22	20251X127	BRINE VALVE SIDE BRACKET	1
23	20251X309	BRINE CAM WHITE	1
	20251X310	BRINE CAM BLACK	1
24	20253X104	METER CABLE GUIDE	1
25	20253X105	10.5" METER CABLE	1
Not Shown	20251X103	TIMER MOUNTING SCREW	2
Not Shown	20251X135	DESIGNER COVER (BLACK PLASTIC)	1
Not Shown	N/S	SLANT COVER	1
Not Shown	20251X425	3200 OR 3210 TIMER MOTOR 110 V / 60 Hz	1



PARTS