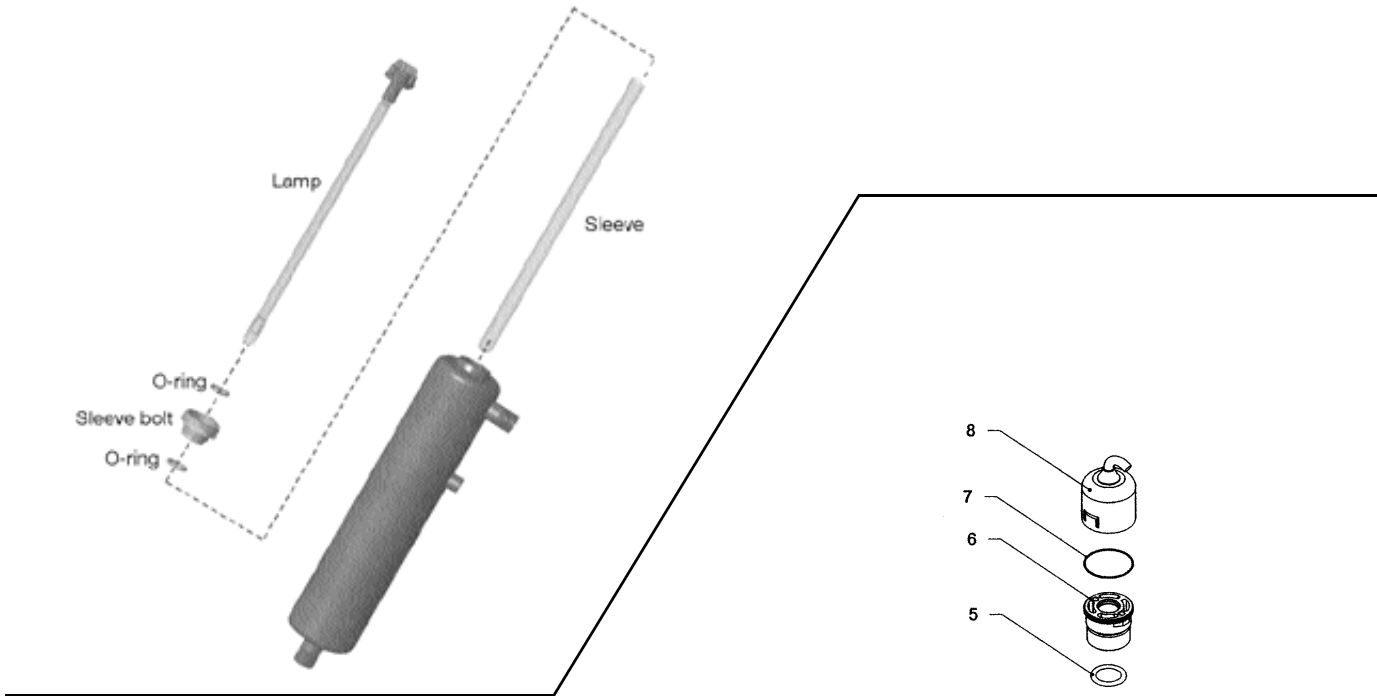


Trojan - UVMAX

General Specifications	MAX C4	MAX D4	MAX E4	MAX F4	PRO10	PRO20	PRO30
Lamp	602805	602805	602806	602807	602854	602855	602856
Sleeve	602732	602732	602733	602734	602974	602975	602976
Chamber	19.5 x 3.5in.	19.5 x 3.5in.	29 x 3.5in.	43.5 x 3.5in.	21.4 x 4in.	31 x 4in.	41 x 4in.



WEDECO - "DLR"

REF. NO.	PART NO.	DESCRIPTION	QTY.
1	*	ELECTRICAL CONTROL BOX	1
2	*	DISINFECTION CHAMBER	1
3	DQ36648	QUARTZ SLEEVE	1
4	AQ37086	ULTRAVIOLET LAMP	1
5	AQ35492	HEAD PIECE O-RING	1
6	AQ36538	HEAD PIECE	1
7	AQ36617	GLO-CAP O-RING	1
8	AQ36799	GLO-CAP	1
9	AQ702576	SENSOR ASSEMBLY (EXCLUDES "AP" MODEL)	1
10	AQ36942	ELECTRICAL CONTROL BOX STRAP	2
10A	AQ36992	STRAP BUCKLE	2
11	*	WALL MOUNT BRACKET	2
12	*	WALL MOUNT BRACKET STRAP	2
13	*	WALL MOUNT BRACKET STRAP SCREW	4
14**	*	FLOW CONTROL	1
15**	*	SOLENOID VALVE (OPTIONAL)	1
16**	AQ36944	POWER CORD	1

* Determined by serial number
 ** Not Shown

