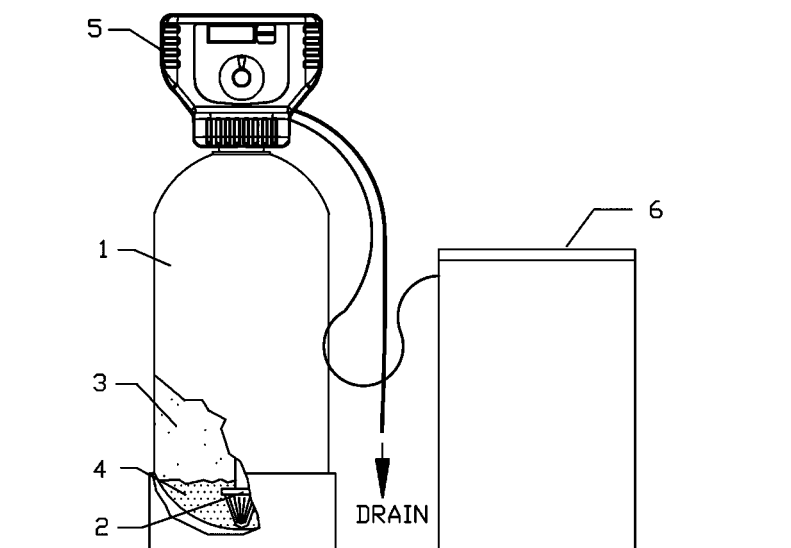
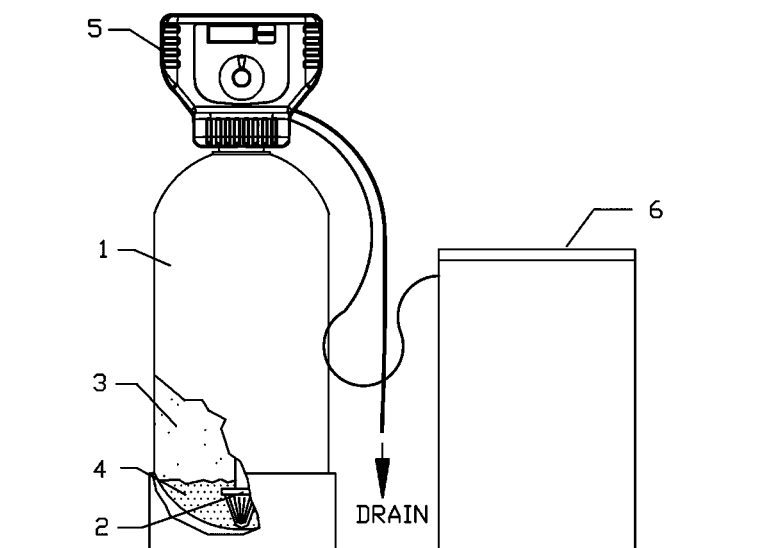


REF NO.	DESCRIPTION	ATI24	ATI32	ATI48	ATI64	ATI96
1	MINERAL TANK W/ BASE (2)	PART NO. 30942X100 SIZE 9" X 42"	30948X100 9" X 48"	31054X100 10" X 54"	31348X100 13" X 48"	31465X100 14" X 65"
	VORTECH TANK W/BASE (2)	PART NO. 30942V100 SIZE 9" X 42"	30948V100 9" X 48"	31054V100 10" X 54"	31348V100 13" X 48"	31465V100 14" X 65"
2	DISTRIBUTOR & TUBE ASSY. - 2 REQ'D.	330044X15	330048X15	330054X15	330048X15	330065X15
	TURBULATOR & TUBE ASSY. - 2 REQ'D.	N/A	N/A	N/A	N/A	N/A
3	FINE MESH CATION RESIN FR75 = 3/4 CU. FT. FR10 = 1 CU. FT.	(2) FR75	(2) FR10	(4) FR75	(4) FR10	(6)FR10
4	GARNET SAND 8 X 12 GS30 - 30 LBS. GS70 - 70 LBS.	(2) GS20	(2) GS30	(2) GS30	(2) GS70	(2) GS70
5	CONTROL VALVE W/ DLFC, 2ND TANK ADAPTOR & METER	1.0	1.2	1.5	2.4	3.0
	W/ PLASTIC BYPASS & S.S. YOKE 3/4"	20908X500	20908X501	20908X502	20908X503	N/A
	-1Y MODELS - W/ PLASTIC BYPASS & S.S. YOKE	20908X510	20908X511	20908X512	20908X513	20908X514
	W/O BYPASS & YOKE	20908X530	20908X531	20908X532	20908X533	20908X534
	-P MODELS - W/ PLASTIC BYPASS & YOKE 3/4"	20908X540	20908X541	20908X542	20908X543	N/A
	-1P MODELS - W/ PLASTIC BYPASS & YOKE 1"	20908X550	20908X551	20908X552	20908X553	20908X554
	-B MODELS - W/ STAINLESS STEEL BYPASS 3/4"	20908X560	20908X561	20809X562	20908X563	N/A
	-1B MODELS - W/ STAINLESS STEEL BYPASS 1"	20908X570	20908X571	20908X572	20908X573	20908X574
6	BRINE TANK ASSY.	40330X000 18" X 33"				40440X000 18" X 40"
7	INTERCONNECT PIPES	20908X218				Consult CSI

PARTS



REF NO.	DESCRIPTION	TSI24	TSI32	TSI48	TSI64	TSI96
1	RESIN TANK W/ BASE	PART NO. 30942X100	30948X100	31054X100	31348X100	31465X100
	SIZE 9" X 42"	9" X 42"	9" X 48"	10" X 54"	13" X 48"	14" X 65"
	VORTECH TANK W/ BASE	PART NO. 30942V100	30948V100	31054V100	31348V100	31465V100
	SIZE 9" X 42"	9" X 42"	9" X 48"	10" X 54"	13" X 48"	14" X 65"
2	DISTRIBUTOR & TUBE ASSY.	330044X15	330048X15	330054X15	330048X15	330065X15
	TURBULATOR & TUBE ASSY.	N/A	N/A	N/A	N/A	N/A
3	FINE MESH CATION RESIN FR75 = 3/4 CU. FT. FR10 = 1 CU. FT.	(1) FR75	(1) FR10	(2) FR75	(2) FR10	(3) FR10
4	GARNET SAND 8 X 12	GS20	GS30	GS30	GS70	GS70
	GS30 - 30 LBS. Standard Tank Only GS70 - 70 LBS. Standard Tank Only					
5	CONTROL VALVE W/ DLFC	1.0	1.2	1.5	2.4	3.0
	SIGNATURE VALVE W/ PLASTIC BYPASS & S.S. YOKE 3/4"	20001X529	20001X521	20001X522	20001X523	20001X524
	SIGNATURE VALVE W/ PLASTIC BYPASS & S.S. YOKE 1"	20001X539	20001X531	20001X532	20001X533	20001X534
	SIGNATURE VALVE W/O BYPASS & YOKE	20001X549	20001X541	20001X542	20001X543	20001X544
	SIGNATURE VALVE W/ PLASTIC BYPASS & 3/4" YOKE	20001X559	20001X551	20001X552	20001X553	20001X554
	SIGNATURE VALVE W/ PLASTIC BYPASS & 1" YOKE	20001X569	20001X561	20001X562	20001X563	20001X564
	SIGNATURE VALVE W/ STAINLESS STEEL BYPASS 3/4"	20001X579	20001X571	20001X572	20001X573	20001X574
	SIGNATURE VALVE W/ STAINLESS STEEL BYPASS 1"	20001X589	20001X581	20001X582	20001X583	20001X584
6	BRINE TANK ASSY.	40330X000 18" X 33"				40440X000 18" X 40"



REF NO.	DESCRIPTION	MSI24	MSI32	MSI48	MSI64	MSI96
1	RESIN TANK W/ BASE	PART NO. 30942X100 SIZE 9" X 42"	30948X100 9" X 48"	31054X100 10" X 54"	31348X100 13" X 48"	31465X100 14" X 65"
	VORTECH TANK W/ BASE	PART NO. 30942V100 SIZE 9" X 42"	30948V100 9" X 48"	31054V100 10" X 54"	31348V100 13" X 48"	31465V100 14" X 65"
2	DISTRIBUTOR & TUBE ASSY.	330044X15	330048X15	330054X15	330048X15	330065X15
	TURBULATOR & TUBE ASSY.	N/A	N/A	N/A	N/A	N/A
3	FINE MESH CATION RESIN FR75 = 3/4 CU. FT. FR10 = 1 CU. FT.	(1) FR75	(1) FR10	(2) FR75	(2) FR10	(3) FR10
4	GARNET SAND 8 X 12 GS30 - 30 LBS. <small>Standard Tank Only</small> GS70 - 70 LBS.	GS20	GS30	GS30	GS70	GS70
5	CONTROL VALVE W/ DLFC	1.0	1.2	1.5	2.4	3.0
	SIGNATURE VALVE W/ PLASTIC BYPASS & S.S. YOKE 3/4"	20003X520	20003X521	20003X522	20003X523	20003X524
	SIGNATURE VALVE W/ PLASTIC BYPASS & S.S. YOKE 1"	20003X530	20003X531	20003X532	20003X533	20003X534
	SIGNATURE VALVE W/O BYPASS & YOKE	20003X540	20003X541	20003X542	20003X543	20003X544
	SIGNATURE VALVE W/ PLASTIC BYPASS & 3/4" YOKE	20003X550	20003X551	20003X552	20003X553	20003X554
	SIGNATURE VALVE W/ PLASTIC BYPASS & 1" YOKE	20003X560	20003X561	20003X562	20003X563	20003X564
	SIGNATURE VALVE W/ STAINLESS STEEL BYPASS 3/4"	20003X570	20003X571	20003X572	20003X573	20003X574
	SIGNATURE VALVE W/ STAINLESS STEEL BYPASS 1"	20003X580	20003X581	20003X582	20003X583	20003X584
6	BRINE TANK ASSY.	40330X000 18" X 33"				40440X000 18" X 40"

PARTS