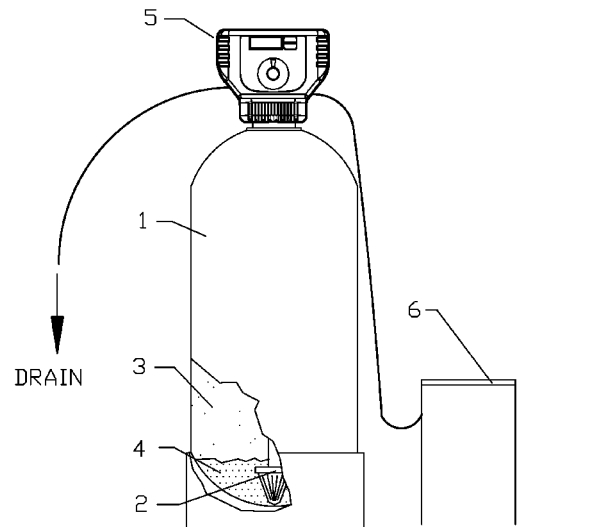
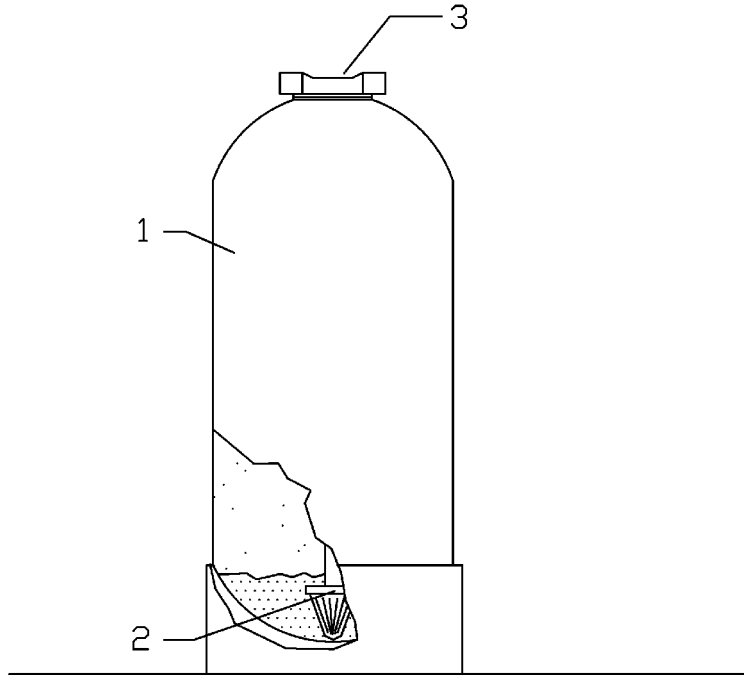


REF NO.	DESCRIPTION		WF10	WF15	WF20	WF25	WF30	WF40
1	MINERAL TANK W/ BASE	PART NO. SIZE	30948X100 9" X 48"	31054X100 10" X 54"	31348X100 13" X 48"	31354X100 13" X 54"	31465X100 14" X 65"	31665X100 16" X 65"
	VORTECH TANK W/ BASE	PART NO. SIZE	30948V100 9" X 48"	31054V100 10" X 54"	31348V100 13" X 48"	31354V100 13" X 54"	31465V100 14" X 65"	31665V100 16" X 65"
2	DISTRIBUTOR & TUBE ASSY.		330048X11	330054X11	330048X11	330054X11	330065X11	330065X11
3	CONTROL VALVE W/ DLFC		5.0	5.0	7.0	7.0	10.0	15.0
	SIGNATURE VALVE W/ PLASTIC BYPASS & S.S. YOKE 3/4"		20002X521	20002X521	20002X523	20002X523	20002X524	N/A
	SIGNATURE VALVE W/ PLASTIC BYPASS & S.S. YOKE 1"		20002X531	20002X531	20002X533	20002X533	20002X534	CONSULT FACTORY
	SIGNATURE VALVE W/O BYPASS & YOKE		20002X541	20002X541	20002X543	20002X543	20002X544	CONSULT FACTORY
	SIGNATURE VALVE W/ PLASTIC BYPASS & YOKE 3/4"		20002X551	20002X551	20002X553	20002X553	20002X554	N/A
	SIGNATURE VALVE W/ PLASTIC BYPASS & YOKE 1"		20002X561	20002X561	20002X563	20002X563	20002X564	CONSULT FACTORY
	SIGNATURE VALVE W/ S.S. BYPASS 3/4"		20002X571	20002X571	20002X573	20002X573	20002X574	N/A
	SIGNATURE VALVE W/ S.S. BYPASS 1"		20002X581	20002X581	20002X583	20002X583	20002X584	CONSULT FACTORY
GRAVEL UNDERBED REQ. FILTER MEDIA CAPACITY		DG20 1.0 CU. FT.	DG20 1.5 CU. FT.	DG50 2.0 CU. FT.	DG50 2.5 CU. FT.	DG50 3.0 CU. FT.	DG70 4.0 CU. FT.	
OPTION - POLYGLASS TANK W/ DOME FILL PLUG - GRAY		30948X104	31054X104	31348X104	31354X104	N/A	N/A	
OPTION - POLYGLASS TANK W/ DOME FILL PLUG - NATURAL		30948X105	31054X105	31348X105	31354X105	N/A	N/A	
DOME HOLE PLUG USED W/ POLYGLASS TANKS ABOVE		35100X105		N/A	35100X105	N/A	N/A	



REF NO.	DESCRIPTION		IF10	IF15	IF20	IF25
1	MINERAL TANK W/ BASE	PART NO. SIZE	30948X100 9" X 48"	31054X100 10" X 54"	31348X100 13" X 48"	31354X100 13" X 54"
	VORTECH TANK W/ BASE	PART NO. SIZE	30948X100 9" X 48"	31054X100 10" X 54"	31348X100 13" X 48"	31354X100 13" X 54"
2	DISTRIBUTOR & TUBE ASSY.		330048X11	330054X11	330048X11	330054X11
3	MTM MT75 = 3/4 CU. FT. MT10 = 1 CU. FT.		(1) MT10	(2) MT75	(2) MT10	(1) MT10 (2) MT75
4	"D" GRAVEL UNDERBED DG20 20 LBS. "D" GRAVEL DG50 50 LBS. "D" GRAVEL		(1) DG20	(1) DG20	(1) DG50	(1) DG50
5	CONTROL VALVE W/ DLFC		5.0	5.0	7.0	7.0
	SIGNATURE VALVE W/ PLASTIC BYPASS & S.S. YOKE 3/4"		20001X528	20001X528	20001X530	20001X530
	SIGNATURE VALVE W/ PLASTIC BYPASS & S.S. YOKE 1"		20001X538	20001X538	20001X540	20001X540
	SIGNATURE VALVE W/O BYPASS & YOKE		20001X548	20001X548	20001X550	20001X550
	SIGNATURE VALVE W/ PLASTIC BYPASS & YOKE 3/4"		20001X558	20001X558	20001X560	20001X560
	SIGNATURE VALVE W/ PLASTIC BYPASS & YOKE 1"		20001X568	20001X568	20001X570	20001X570
	SIGNATURE VALVE W/ PLASTIC BYPASS & YOKE 3/4"		20001X578	20001X578	20001X580	20001X580
	SIGNATURE VALVE W/ PLASTIC BYPASS & YOKE 1"		20001X588	20001X588	20001X590	20001X590
6	FEEDER TANK ASSEMBLY	PART NO. SIZE	40461X000 10" X 16"			

PARTS



REF NO.	DESCRIPTION		U10	U15	U20	U25
1	MINERAL TANK W/ BASE	PART NO. SIZE	30948X100 9" X 48"	31054X100 10" X 54"	31348X100 13" X 48"	31354X100 13" X 54"
	VORTECH TANK W/ BASE	PART NO. SIZE	30948V100 9" X 48"	31054V100 10" X 54"	31348V100 13" X 48"	31354V100 13" X 54"
2	DISTRIBUTOR & TUBE ASSY.		330048X14	330054X14	330048X14	330054X14
3	MANIFOLD W/ DIFFUSER & O-RING 1" IN / OUT		62128X109	62128X109	62128X109	62128X109
	GRAVEL UNDERBED REQUIRED		DG20	DG20	DG50	DG50
	FILTER MEDIA CAPACITY		1.0 CU. FT.	1.5 CU. FT.	2.0 CU. FT.	2.5 CU. FT.
	OPTION - POLYGLASS TANK W/ DOME FILL PLUG - GRAY		N/A	31054X104	31348X104	31354X104
	OPTION - POLYGLASS TANK W/ DOME FILL PLUG - NATURAL		N/A	31054X105	31348X105	31354X105
	DOME HOLE PLUG USED W/ POLYGLASS TANKS ABOVE		35100X105		N/A	35100X105