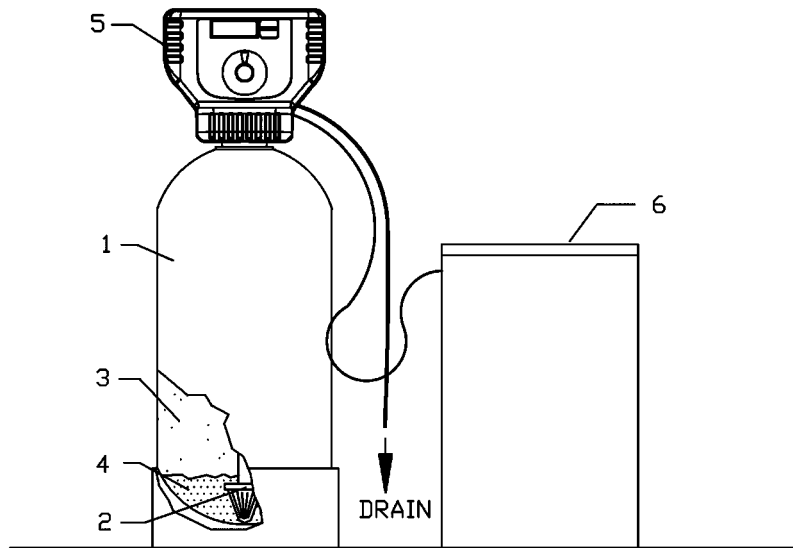
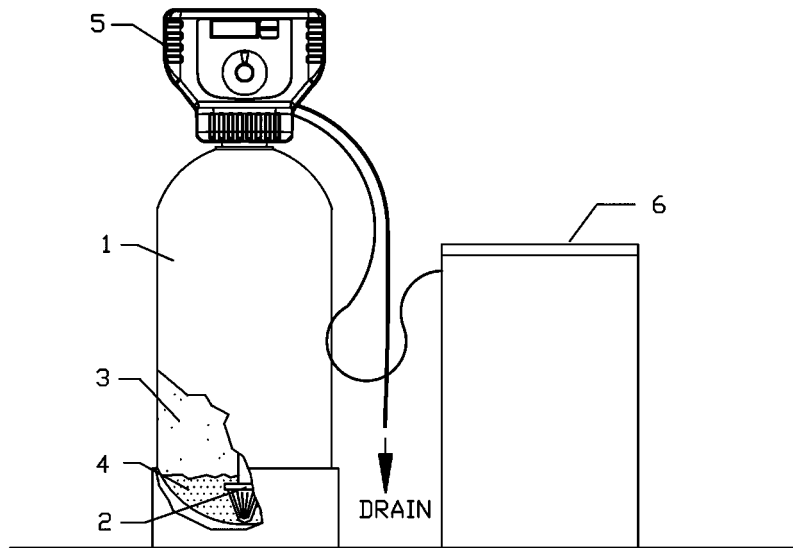


| REF. NO. | PART NO. | DESCRIPTION |
|----------|-----------|--|
| 1 | 40450X100 | CABINET, LID & COVER ASSEMBLY |
| 2 | 40450X101 | CABINET ONLY |
| 3 | 40450X102 | LID ONLY |
| 4 | 40450X103 | COVER ONLY |
| 5 | 40450X105 | GRID PLATE 10" TANK |
| 6 | 40450X104 | GRID PLATE 8" TANK |
| 7 | --- | RESIN TANK SEE CHART NEXT PAGE |
| 8 | --- | DISTRIBUTOR & TUBE ASSY. SEE CHART NEXT PAGE |
| 9 | --- | CATION RESIN SEE CHART NEXT PAGE |
| 10 | --- | CONTROL VALVE SEE CHART NEXT PAGE |
| 11 | 40330X105 | BRINE WELL |
| 12 | 40330X107 | SAFETY BRINE & FLOAT ASSY. |
| 13 | 40330X104 | 4" BRINE WELL CAP |
| 14 | 40330X106 | OVERFLOW FITTING & NUT |
| 15 | 40330X103 | BRINE TUBING - 3/8" OD X 48" LG |

Parts Diagram - "TS" Series Softeners

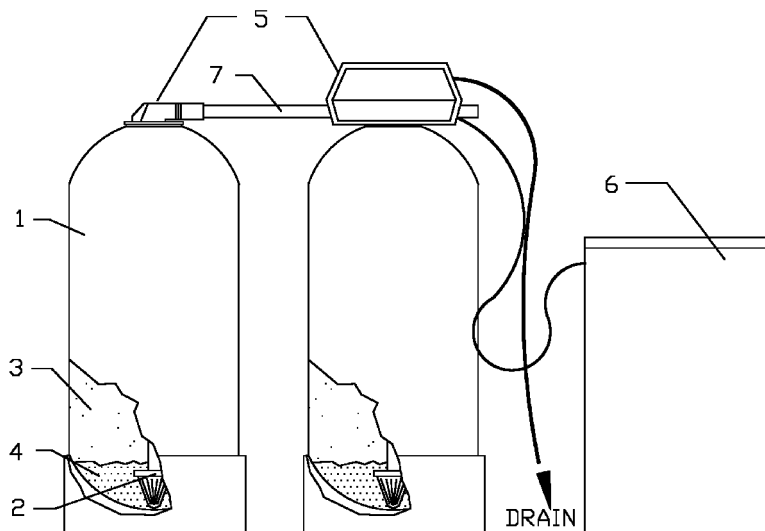


| REF NO. | DESCRIPTION | TS24(V) | TS24T | TS32(V) | TS32T | TS48(V) | TS48T | TS64(V) | TS64T | TS96V | TS128V |
|---------|--|---------------------|------------------------|-----------|-----------|-----------|-----------|-----------|-----------|-----------|------------------------|
| 1 | RESIN TANK PART NO. | 30844X100 | 30844X100 | 30948X100 | 30948X100 | 31054X100 | 31054X100 | 31348X100 | 31348X100 | 31465X100 | 31665X100 |
| | W/ BASE SIZE | 8" X 44" | 8" X 44" | 9" X 48" | 9" X 48" | 10" X 54" | 10" X 54" | 13" X 48" | 13" X 48" | 14" X 65" | 16" X 65" |
| 2 | DISTRIBUTOR & TUBE ASSY. | 330044X11 | N/A | 330048X11 | N/A | 330054X11 | N/A | 330048X11 | N/A | 330065X11 | 330065X11 |
| | TURBULATOR & TUBE ASSY. | N/A | 340044X11 | N/A | 340048X11 | N/A | 340054X11 | N/A | 340048X11 | N/A | N/A |
| 3 | CATION RESIN SR75 = 3/4 CU. FT. SR10 = 1 CU. FT. | (1) SR75 | (1) SR75 | (1) SR10 | (1) SR10 | (2) SR75 | (2) SR75 | (2) SR10 | (2) SR10 | (3) SR10 | (4) SR10 |
| 4 | "D" GRAVEL UNDERBED | N/A | N/A | N/A | N/A | N/A | N/A | N/A | N/A | 50 LBS. | 70 LBS. |
| 5 | CONTROL VALVE W/DLFC | 1.5 | 2.0 | 2.0 | 2.4 | 2.4 | 3.0 | 4.0 | 5.0 | 5.0 | 7.0 |
| | SIGNATURE VALVE W/ PLASTIC BYPASS & 3/4" S.S. YOKE | 20001X521 | 20001X522 | 20001X522 | 20001X523 | 20001X523 | 20001X524 | 20001X525 | 20001X526 | 20001X527 | CONSULT FACTORY |
| | SIGNATURE VALVE W/ PLASTIC BYPASS & 1" S.S. YOKE | 20001X531 | 20001X532 | 20001X532 | 20001X533 | 20001X533 | 20001X534 | 20001X535 | 20001X536 | 20001X537 | |
| | SIGNATURE VALVE W/O BYPASS & YOKE | 20001X541 | 20001X542 | 20001X542 | 20001X543 | 20001X543 | 20001X544 | 20001X545 | 20001X547 | 20001X548 | |
| | SIGNATURE VALVE W/ BYPASS & 3/4" YOKE | 20001X551 | 20001X552 | 20001X552 | 20001X553 | 20001X553 | 20001X554 | 20001X555 | 20001X556 | 20001X557 | |
| | SIGNATURE VALVE W/ PLASTIC BYPASS & 1" YOKE | 20001X561 | 20001X562 | 20001X562 | 20001X563 | 20001X563 | 20001X564 | 20001X565 | 20001X566 | 20001X567 | |
| | SIGNATURE VALVE W/ STAINLESS STEEL BYPASS 3/4" | 20001X571 | 20001X572 | 20001X572 | 20001X573 | 20001X573 | 20001X574 | 20001X575 | 20001X576 | 20001X577 | |
| | SIGNATURE VALVE W/ STAINLESS STEEL BYPASS 1" | 20001X581 | 20001X582 | 20001X582 | 20001X583 | 20001X583 | 20001X584 | 20001X585 | 20001X586 | 20001X587 | |
| | 6 | BRINE TANK ASSEMBLY | 40330X000 18" X 33" | | | | | | | | 40440X000 18" X 40" |

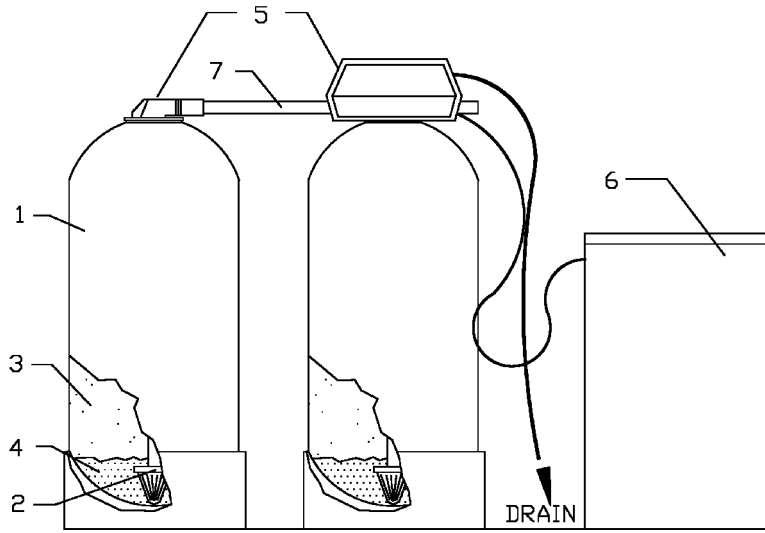


| REF NO. | DESCRIPTION | MS24(V) | MS24T | MS32(V) | MS32T | MS48(V) | MS48T | MS64(V) | MS64T | MS96V | MS128V |
|---------|--|---------------------|------------------------|-----------|-----------|-----------|-----------|-----------|-----------|-----------|------------------------|
| 1 | RESIN TANK PART NO. | 30844X100 | 30844X100 | 30948X100 | 30948X100 | 31054X100 | 31054X100 | 31348X100 | 31348X100 | 31465X100 | 31665X100 |
| | W/ BASE SIZE | 8" X 44" | 8" X 44" | 9" X 48" | 9" X 48" | 10" X 54" | 10" X 54" | 13" X 48" | 13" X 48" | 14" X 65" | 16" X 65" |
| 2 | VORTECH TANK PART NO. | 30942V100 | NA | 30948V100 | NA | 31054V100 | NA | 31348V100 | NA | 31465X100 | 31665X100 |
| | W/ BASE SIZE | 9" X 42" | | 9" X 48" | | 10" X 54" | | 13" X 48" | | 14" X 65" | 16" X 65" |
| 3 | DISTRIBUTOR & TUBE ASSY. | 330044X11 | N/A | 330048X11 | N/A | 330054X11 | N/A | 330048X11 | N/A | 330065X11 | 330065X11 |
| | TURBULATOR & TUBE ASSY. | N/A | 340044X11 | N/A | 340048X11 | N/A | 340054X11 | N/A | 340048X11 | N/A | N/A |
| 4 | CATION RESIN | (1) SR75 | (1) SR75 | (1) SR10 | (1) SR10 | (2) SR75 | (2) SR75 | (2) SR10 | (2) SR10 | (3) SR10 | (4) SR10 |
| | SR75 = 3/4 CU. FT. SR10 = 1 CU. FT. | | | | | | | | | | |
| 5 | "D" GRAVEL UNDERBED | N/A | N/A | N/A | N/A | N/A | N/A | N/A | N/A | 50 LBS. | 70 LBS. |
| | CONTROL VALVE W/DLFC | 1.5 | 2.0 | 2.0 | 2.4 | 2.4 | 3.0 | 3.5 | 4.0 | 5.0 | 7.0 |
| 5 | SIGNATURE VALVE W/ PLASTIC BYPASS & 3/4" S.S. YOKE | 20003X521 | 20003X522 | 20003X522 | 20003X523 | 20003X523 | 20003X524 | 20003X525 | 20003X526 | 20003X527 | CONSULT FACTORY |
| | SIGNATURE VALVE W/ PLASTIC BYPASS & 1" S.S. YOKE | 20003X531 | 20003X532 | 20003X532 | 20003X533 | 20003X533 | 20003X534 | 20003X535 | 20003X536 | 20003X537 | |
| | SIGNATURE VALVE W/O BYPASS & YOKE | 20003X541 | 20003X542 | 20003X542 | 20003X543 | 20003X543 | 20003X544 | 20003X545 | 20003X546 | 20003X547 | |
| | SIGNATURE VALVE W/ BYPASS & 3/4" YOKE | 20003X551 | 20003X552 | 20003X552 | 20003X553 | 20003X553 | 20003X554 | 20003X555 | 20003X556 | 20003X557 | |
| | SIGNATURE VALVE W/ PLASTIC BYPASS & 1" YOKE | 20003X561 | 20003X562 | 20003X562 | 20003X563 | 20003X563 | 20003X564 | 20003X565 | 20003X566 | 20003X567 | |
| | SIGNATURE VALVE W/ STAINLESS STEEL BYPASS 3/4" | 20003X571 | 20003X572 | 20003X572 | 20003X573 | 20003X573 | 20003X574 | 20003X575 | 20003X576 | 20003X577 | |
| | SIGNATURE VALVE W/ STAINLESS STEEL BYPASS 1" | 20003X581 | 20003X582 | 20003X582 | 20003X583 | 20003X583 | 20003X584 | 20003X585 | 20003X586 | 20003X587 | |
| | 6 | BRINE TANK ASSEMBLY | 40330X000 18" X 33" | | | | | | | | 40440X000 18" X 40" |

PARTS



| REF NO. | DESCRIPTION | AT24(V) | AT24T | AT32(V) | AT32T | AT48(V) | AT48T | AT64(V) | AT64T | AT96V |
|---------|--|------------------------|-----------|-----------|-----------|-----------|-----------|-----------|-----------|------------------------|
| 1 | RESIN TANK PART NO. | 30844X100 | 30844X100 | 30948X100 | 30948X100 | 31054X100 | 31054X100 | 31348X100 | 31348X100 | 31465X100 |
| | W/ BASE (2) SIZE | 8" X 44" | 8" X 44" | 9" X 48" | 9" X 48" | 10" X 54" | 10" X 54" | 13" X 48" | 13" X 48" | 14" X 65" |
| | VORTECH TANK PART NO. | 30942V100 | NA | 30948V100 | NA | 31054V100 | NA | 31348V100 | NA | 31465V100 |
| | W/ BASE (2) SIZE | 9" X 42" | | 9" X 48" | | 10" X 54" | | 13" X 48" | | 14" X 65" |
| 2 | DISTRIBUTOR & TUBE ASSY. - (2) REQUIRED | 330044X11 | N/A | 330048X11 | N/A | 330054X11 | N/A | 330048X11 | N/A | 330065X11 |
| | TURBULATOR & TUBE ASSY. - (2) REQUIRED | N/A | 340044X11 | N/A | 340048X11 | N/A | 340054X11 | N/A | 340048X11 | N/A |
| 3 | CATION RESIN SR75 = 3/4 CU. FT. SR10 = 1 CU. FT. | (2) SR75 | (2) SR75 | (2) SR10 | (2) SR10 | (4) SR75 | (4) SR75 | (4) SR10 | (4) SR10 | (6) SR10 |
| 4 | "D" GRAVEL UNDERBED | N/A | N/A | N/A | N/A | N/A | N/A | N/A | N/A | (2) DG50 |
| 5 | CONTROL VALVE W/DLFC, 2nd TANK ADPT. & METER | 1.5 | 2.0 | 2.0 | 2.4 | 2.4 | 3.0 | 3.5 | 4.0 | 5.0 |
| | W/ PLASTIC BYPASS & 3/4" S.S. YOKE | 20908X501 | 20908X502 | 20908X502 | 20908X503 | 20908X503 | 20908X504 | 20908X505 | 20908X506 | 20908X507 |
| | -1Y MODELS - W/ PLASTIC BYPASS & 1" S.S. YOKE | 20908X511 | 20908X512 | 20908X512 | 20908X513 | 20908X513 | 20908X514 | 20908X515 | 20908X516 | 20908X517 |
| | -WO MODELS - W/O BYPASS & YOKE | 20908X531 | 20908X532 | 20908X532 | 20908X533 | 20908X533 | 20908X534 | 20908X535 | 20908X536 | 20908X537 |
| | -P MODELS W/PLASTIC BYPASS & 3/4" YOKE | 20908X541 | 20908X542 | 20908X542 | 20908X543 | 20908X543 | 20908X544 | 20908X545 | 20908X546 | 20908X547 |
| | -1P MODELS -W/ PLASTIC BYPASS & 1" YOKE | 20908X551 | 20908X552 | 20908X552 | 20908X553 | 20908X553 | 20908X554 | 20908X555 | 20908X556 | 20908X557 |
| | -B MODELS W/STAINLESS STEEL BYPASS 3/4" | 20908X561 | 20908X562 | 20908X562 | 20908X563 | 20908X563 | 20908X564 | 20908X565 | 20908X566 | 20908X567 |
| | -1B MODELS W/STAINLESS STEEL BYPASS 1" | 20908X571 | 20908X572 | 20908X572 | 20908X573 | 20908X573 | 20908X574 | 20908X575 | 20908X576 | 20908X577 |
| 6 | BRINE TANK ASSEMBLY | 40330X000 18" X 33" | | | | | | | | 40440X000 18" X 40" |
| 7 | INTERCONNECT PIPES | 20908X218 | | | | | | | | |



| REF NO. | DESCRIPTION | AT24(V)-91 | AT24T-91 | AT32(V)-91 | AT32T-91 | AT48(V)-91 | AT48T-91 | AT64(V)-91 | AT64T-91 | AT96-91V |
|---------|--|------------------------|-----------|------------|-----------|------------|-----------|------------|-----------|------------------------|
| 1 | RESIN TANK PART NO. | 30844X100 | 30844X100 | 30948X100 | 30948X100 | 31054X100 | 31054X100 | 31348X100 | 31348X100 | 31465X100 |
| | W/ BASE (2) SIZE | 8" X 44" | 8" X 44" | 9" X 48" | 9" X 48" | 10" X 54" | 10" X 54" | 13" X 48" | 13" X 48" | 14" X 65" |
| | VORTECH TANK PART NO. | 30942V100 | NA | 30948V100 | NA | 31054V100 | NA | 31348V100 | NA | 31465V100 |
| | W/ BASE (2) SIZE | 9" X 42" | | 9" X 48" | | 10" X 54" | | 13" X 48" | | 14" X 65" |
| 2 | DISTRIBUTOR & TUBE ASSY. - (2) REQUIRED | 330044X11 | N/A | 330048X11 | N/A | 330054X11 | N/A | 330048X11 | N/A | 330065X11 |
| | TURBULATOR & TUBE ASSY. - (2) REQUIRED | N/A | 340044X11 | N/A | 340048X11 | N/A | 340054X11 | N/A | 340048X11 | N/A |
| 3 | CATION RESIN SR75 = 3/4 CU. FT. SR10 = 1 CU. FT. | (2) SR75 | (2) SR75 | (2) SR10 | (2) SR10 | (4) SR75 | (4) SR75 | (4) SR10 | (4) SR10 | (6) SR10 |
| 4 | "D" GRAVEL UNDERBED | N/A | N/A | N/A | N/A | N/A | N/A | N/A | N/A | (2) DG50 |
| 5 | CONTROL VALVE W/DLFC, 2nd TANK ADPT. & METER | 1.5 | 2.0 | 2.0 | 2.4 | 2.4 | 3.0 | 3.5 | 4.0 | 5.0 |
| | W/ PLASTIC BYPASS & 3/4" S.S. YOKE | 20909X501 | 20909X502 | 20909X502 | 20909X503 | 20909X503 | 20909X504 | 20909X505 | 20909X506 | 20909X507 |
| | -1Y MODELS - W/ PLASTIC BYPASS & 1" S.S. YOKE | 20909X511 | 20909X512 | 20909X512 | 20909X513 | 20909X513 | 20909X514 | 20909X515 | 20909X516 | 20909X517 |
| | -WO MODELS - W/O BYPASS & YOKE | 20909X521 | 20909X532 | 20909X532 | 20909X533 | 20909X533 | 20909X534 | 20909X535 | 20909X536 | 20909X537 |
| | -P MODELS W/PLASTIC BYPASS & 3/4" YOKE | 20909X531 | 20909X542 | 20909X542 | 20909X543 | 20909X543 | 20909X544 | 20909X545 | 20909X546 | 20909X547 |
| | -1P MODELS -W/ PLASTIC BYPASS & 1" YOKE | 20909X541 | 20909X552 | 20909X552 | 20909X553 | 20909X553 | 20909X554 | 20909X555 | 20909X556 | 20909X557 |
| | -B MODELS W/STAINLESS STEEL BYPASS 3/4" | 20909X551 | 20909X562 | 20909X562 | 20909X563 | 20909X563 | 20909X564 | 20909X565 | 20909X566 | 20909X567 |
| | -1B MODELS W/STAINLESS STEEL BYPASS 1" | 20909X561 | 20909X572 | 20909X572 | 20909X573 | 20909X573 | 20909X574 | 20909X575 | 20909X576 | 20909X577 |
| 6 | BRINE TANK ASSEMBLY | 40330X000 18" X 33" | | | | | | | | 40440X000 18" X 40" |
| 7 | INTERCONNECT PIPES | 20908X218 | | | | | | | | |

PARTS