



FEATURES

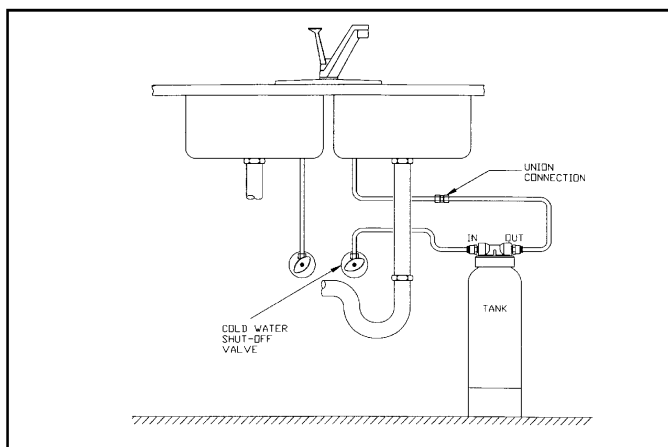
- Reduces Chlorine taste and odor
- Reduces Synthetic organics and Chlorine byproducts
- Reduces Sediment and Rust
- Contains 25 times more carbon than standard cartridge filters
- Treats all the cold water at the kitchen sink
- High capacity design - up to 2-3 years between rebedding
- No cartridges to replace
- Convenient tube lock fittings and installation kit included
- Optional faucet kit available
- Non-corrosive fiberglass mineral tank
- Rugged PVC manifold

Quality Water for a Quality Lifestyle

Granular activated carbon media is the most effective and economical method for reducing chlorine, natural / synthetic organics and byproducts associated with chlorination. The G.A.C. used in our Under Counter Activated Carbon Filter is made from a select grade of coal which is milled, compacted, sized and thermally steam activated to yield a strong dense product with a large surface area.

The UC-05 Under Counter Activated Carbon Filter is specially designed with the capability of absorbing organics and dechlorination of drinking water essentially giving you bottled water quality right at your kitchen sink!

General Specifications	
Model No.**	UC-05
Capacity*	19,710 gallons
Style	Down flow GAC
Flow Rate	2 gpm
GAC Qty.	5 lbs.
In / Out Connections	3/8"
Max. Operating Pressure	120 PSI
Operating Temperature	35° F – 120° F
Dimensions (DxWxH inches)	7"x7"x19"
Shipping Weight (pounds)	7 lbs.



* Based on water usage of 18 gal. / day, cold side kitchen sink, family of four

** Caution: Do not use where water is microbiologically unsafe or with water of unknown quality

Name of Contaminant	No Removal	Modest Removal	Good Removal	Excellent Removal
1.1.1-Trichloroethane				•
1.1.2.2-Tetrachloroethane				•
1.1.2.2-Tetrachloroethylene				•
1.1.2-Trichloroethane				•
1.1-Dichloroethane				•
1.1-Dichloroethylene				•
1.1.2.4-Trichlorobenzene				•
1.2-Dichlorobenzene				•
1.2-Dichloroethane				•
1.2-Dichloroethylene				•
1.2-Dichloropropane				•
1.2-Diphenyl Hydrazine				•
1.3-Dibromochloromethane				•
1.3-Dichlorobenzene				•
1.3-Dichloropropane				•
1.4-Dichlorobenzene				•
2.4.5-TP				•
2.4.6-Trichlorophenol				•
2.4-Dimethylphenol				•
2.4-Dichlorophenol				•
2.4-Dinitrophenol				•
2.4-Dinitrotoluene				•
2.6-Dinitrotoluene				•
2-Chloroethyl Vinyl Ether				•
2-Chloronaphthalene				•
2-Chlorophenol				•
2-Methyl-4.6-Dinitrophenol				•
2-Nitrophenol				•
4.4-DDD				•
4.4-DDE				•
4.4-DDT				•
4-Bromophenyl Phenyl Ether				•
4-Chlorophenyl Phenyl Ether				•
4-Nitrophenol				•
Acenaphthene				•
Acenaphthylene				•
Acrolein				•
Aldrin				•
Alpha-BHC				•
Anthracene				•
Benzene				•
Benzidine				•
Benza (a) Pyrene				•
Benza (b) Fluoranthene				•
Beta-BHC				•
Bis (2-Chloroethoxy) Methane				•
Bis (2-Chloroethyl) Ether				•
Bis (2-Chloroisopropyl) Ether				•
Bis (2-Ethylhexyl) Phthalate				•
Bis (Chloromethyl) Ether				•
Bromodichloromethane				•
Bromofrom				•
Butyl Benzyl Phthalate				•
Carbon Tetrachloride				•
Chloramines				•
Chlordane				•
Chlorobenzene				•
Chloroform				•
Chrysene				•
Di-n-octylphthalate				•
Dibutyl Phthalate				•
Dichlorodifluoromethane				•
Dieldrin				•
Diesel Fuel				•
Diethyl Phthalate				•
Dimethyl Phthalate				•
Dioxin				•
EDB				•
Endosulfan I				•
Endosulfan II				•
Endosulfan Sulfate				•
Endrin				•
Ethylbenzene				•
Fluoranthene				•
Fluorene				•

Name of Contaminant	No Removal	Modest Removal	Good Removal	Excellent Removal
Fuel Oil				•
Gasoline				•
Heptachlor				•
Heptachlor Epoxide				•
Hexachlorobenzene				•
Hexachlorobutadiene				•
Hexachlorocyclopentadiene				•
Hexachloroethane				•
Isophorone				•
Kerosine				•
Lindane				•
Malathion				•
Methane				•
Methoxychlor				•
Methyl Bromide				•
Methylene Chloride				•
n-Nitroso-n-Propylamine				•
n-Nitrosodimethylamine				•
n-Nitrodoiphenyl Amine				•
Naphtalene				•
Nitrobenzene				•
Oil				•
Parathion				•
PCB's				•
PCB-1016				•
PCB-1221				•
PCB-1232				•
PCB-1242				•
PCB-1248				•
PCB-1254				•
PCB-1260				•
Pentachlorophenol				•
Phenanthrene				•
Phenol				•
Pyrene				•
TCA				•
TCE				•
Toluene				•
Total Organic Carbons				•
Toxaphene				•
Toxic Herbicides				•
Toxic Insecticides				•
Toxic Pesticides				•
Trichloroethylene				•
Trichlorofluoromethane				•
Trihalomethanes (THM's)				•
Unpleasant Colors				•
Unpleasant Odors				•
Unpleasant Tastes				•
Aluminum				•
Arsenic				•
Asbestos				•
Barium Sulfate				•
Cadmium Oxide				•
Calcium				•
Chlorides				•
Chlorine				•
Chromium Oxide				•
Copper Oxide				•
Fluoride				•
Hydrogen Sulfide Gas (Sulfur)				•
Iodine				•
Iron Oxide				•
Lead Chromate				•
Magnesium				•
Manganese Oxide				•
Mercury				•
Nickel Oxide				•
Nitrates				•
Selenium				•
Silver Chloride				•
Sodium				•
Toxic Heavy Metals				•
Turbidity (Sediment & Scale)				•
Zinc Oxide				•